

VARI*LITE TECHNICAL BULLETIN

SUBJECT: VLX™ Wash Luminaire Cooling System Heatsink Cleaning Procedure	SERIES: VLX
DISTRIBUTION: General Distribution	STATUS: Routine

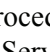
Purpose



As Needed

Vari-Lite recommends the following procedure to clean the heatsinks in the head cooling system assembly in VLX™ Wash Luminaires. This procedure should be performed as a regular (routine) part of maintaining the fixtures.



WARNING: The procedure contained within this bulletin should only be performed by Authorized VARI*LITE® Service Centers or qualified technicians.

Parts

None

Tools

- #2 Phillips Screwdriver
- Moisture and oil-free, compressed air duster
- Soft bristle, 1" Mottler brush

Procedure

Cooling System Heatsink Cleaning



WARNING: Ensure that power is completely removed from luminaire before attempting any work. Always wear eye protection when performing this procedure.

To clean the cooling system heatsinks:

- Step 1. Remove power from luminaire and allow unit to completely cool.
- Step 2. Carefully set luminaire on upper enclosure, rotate head as shown in [Figure 1-1](#), and engage tilt lock.



CAUTION: Remove power and allow fixture to cool.

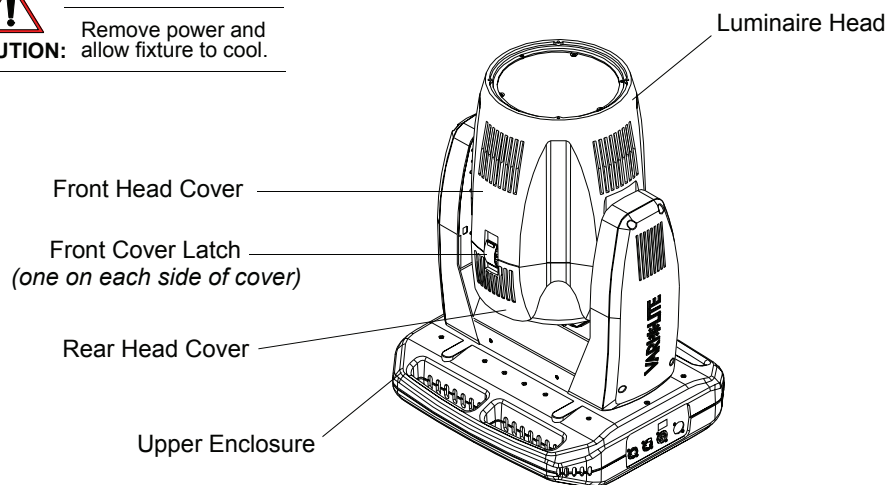


Figure 1-1: VLX Wash Luminaire

- Step 3. Remove front head cover by unlatching both head cover latches. Please note that one side of front cover is secured by a safety tether. Locate clip attached to luminaire and unclip tether.

VARI*LITE TECHNICAL BULLETIN

Step 4. Gently slide front head cover over optic assembly and set aside.

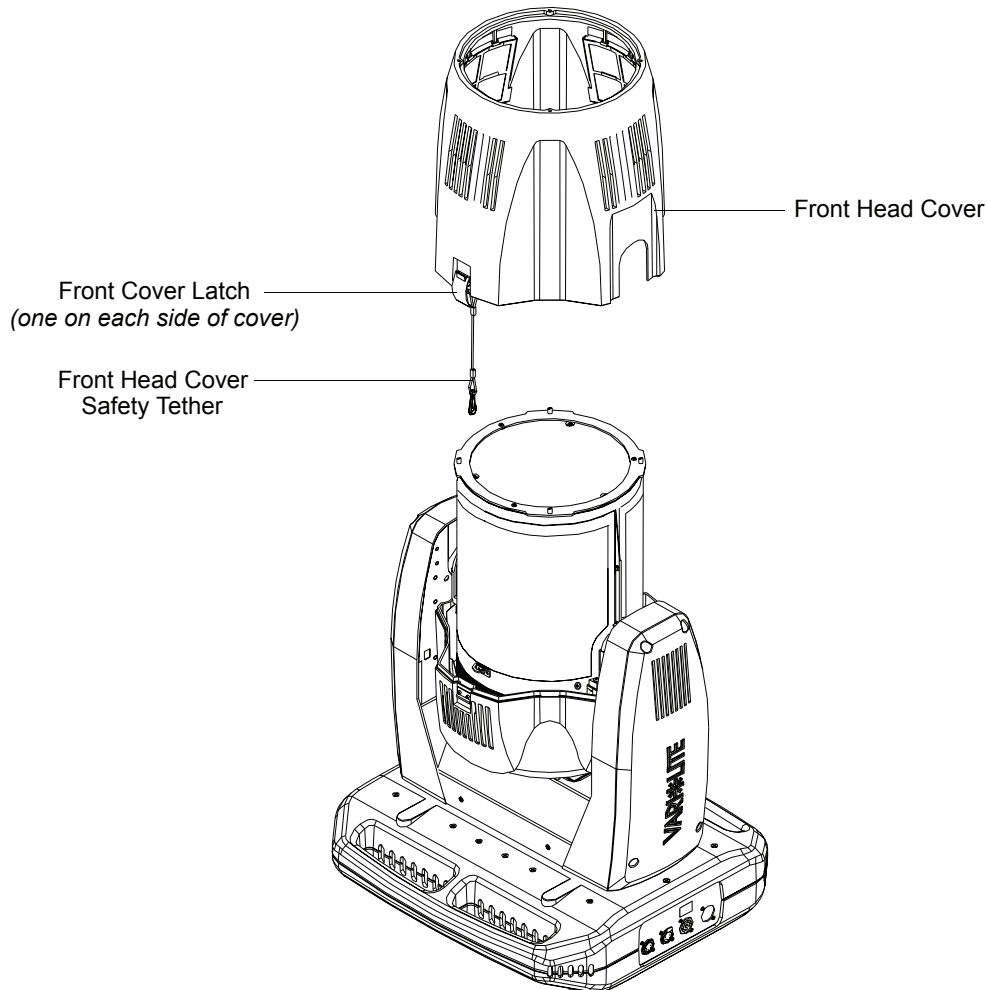


Figure 1-2: Front Head Cover Removal

- Step 5. Disengage tilt lock and rotate luminaire head 90-degrees and re-engage tilt lock (optional).
- Step 6. At inside of rear head cover, remove eight #6 x 1/4" PPZ Plastic Threading Screws and remove rear head cover and set aside.



Note: At reinstalling rear head cover, be careful not to over tighten plastic threading screws (plastic mounting holes may crack).

- Step 7. As indicated in **Figure 1-3**, at LED cooling assembly heatsinks, run Mottler brush gently through and in the direction of the heatsink fins from top to bottom so debris will fall down and away from assembly. Care should be taken as not to damage heatsinks.

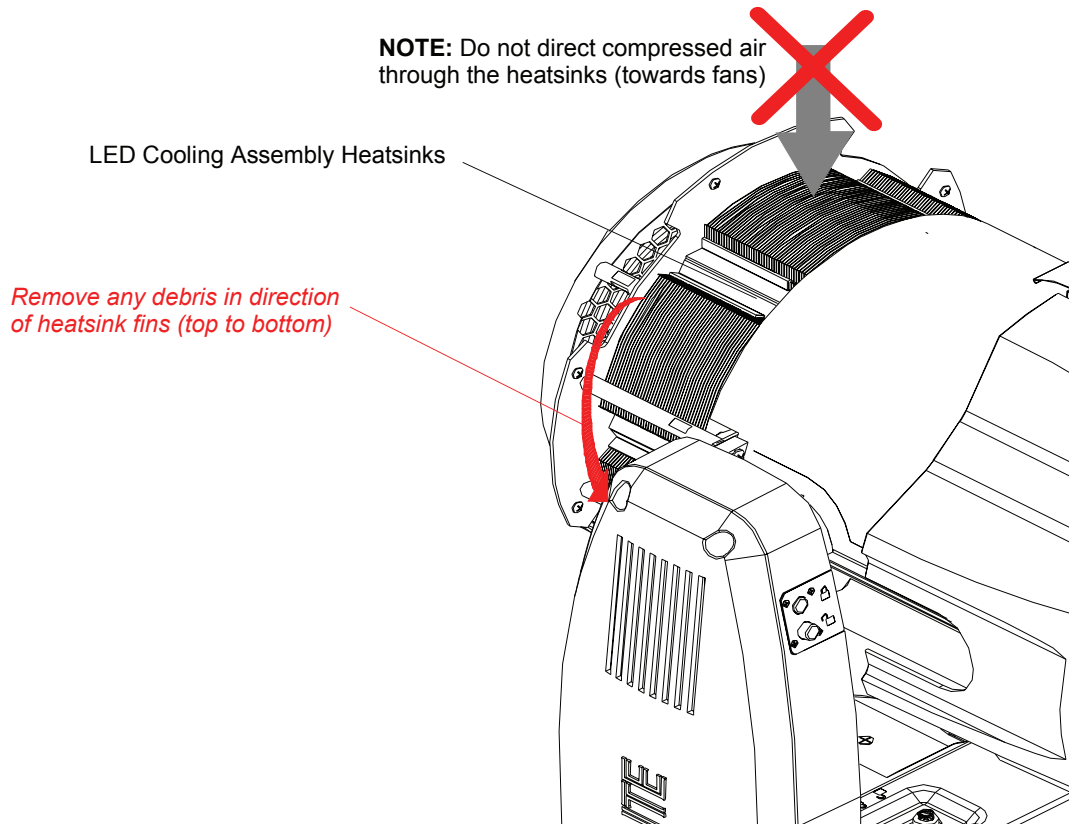


Figure 1-3: VLX Wash Cooling System Heatsink Cleaning

- Step 8. Using compressed air duster, blow any remaining debris from heatsink fins in the same direction as indicated in previous step.



WARNING: DO NOT direct compressed air through heatsinks towards fans or vice-versa. Doing so will cause the fans to spin at a high rate and could damage them. Also, never use any type of cleaning solution on heatsinks.

- Step 9. Reassemble luminaire by following Steps 3 through 6 in reverse order.
- Step 10. Power luminaire and test.