

VL3000 Wash

l u m i n a i r e



The VARI*LITE VL3000 Wash luminaire features 6:1 zoomable beam spreader optics, CYM color mixing, variable CTO color temperature correction, a six-position color wheel and separate dimmer and ultra-fast strobe mechanisms. A standard palette of colors is provided with the unit. Custom colors are available.

An upper enclosure houses the control electronics as well as an arc power supply for the 1200 watt short arc lamp. The arc power supply is power factor corrected for efficient power distribution.

The VL3000 Wash luminaire can be controlled from a wide variety of DMX512 consoles.

The luminaire is the same size as the VL3000 Spot luminaire, providing a consistent hang configuration and appearance no matter which luminaire type is required.

Programmable Functions

Color System:	A three-filter CYM cross-fading mechanism. A fixed color wheel with six interchangeable color filters and continuous wheel rotation for additional effects. It includes a variable CTO color temperature correction filter.
Beam Size Control:	A zoomable 6:1 beam spreader mechanism provides continuous beam size control for rapid changes and smooth timed beam angle changes from 10° to 60°.
Intensity Control:	Full field dimming designed for both smooth timed fades as well as quick dimming effects.
Strobe:	High-performance dual blade strobe system capable of ultra-fast operation.
Pan and Tilt:	Smooth, time-controlled continuous motion by way of three-phase stepper motor systems.
Range:	Pan - 540°, Tilt - 270°.
Accuracy:	0.3° resolution.

Description

Source:	1200W Short Arc Lamp	Color Temperature:	6000K
		CRI:	85
Fixture Output:	20,000 lumens.		
Power Requirements:	Standard AC power distribution from 200– 264 VAC, 50/60 HZ. The unit requires 7 to 12 A depending on the AC supply voltage.		
Reflector:	Precision glass reflector system with dichroic cold mirror coating.		
Operational Temperature:	-20° to 122°F (-29° to 50°C).		
Cooling:	Forced air cooling.		
Control:	Completely compatible with a wide variety of DMX512 consoles.		
DMX Channels:	16		
Mounting Position:	The VL3000 Wash luminaire can be mounted and operated in any orientation.		
Spacing:	Hangs on 26 in. (66 cm) centers.		
Weight:	79 lbs (36 kg).		

Ordering Information

Luminaires:	
20.9678.0002	VL3000 Wash Luminaire, Black, Includes 1200W Short Arc Lamp
Accessories:	
71.9678.0012	1200W Short Arc Lamp
22.9620.0194	Safety Cable Assembly
28.8500.0054	USB Luminaire Programming Kit
55.6840.0001	Truss Hook, Mega-Clamp (For round and square pipe)
55.6841.0001	Truss Hook, Mega-Claw (For 2" round pipe)
PC1BE	AC Input Cable, PowerCon with Bare End (no connector), 1 Meter
PC1GTL208	AC Input Cable, PowerCon with Twist Lock (Male), 250V, 1 Meter



PHILIPS
VARI*LITE

VL3000 Wash

L u m i n a i r e

Specifications

The unit is an integrally designed, remote-controlled, motorized wash luminaire. The head, yoke and enclosure housings are constructed of aluminum alloy for light weight, strength and durability. Low-noise fans provide forced-air cooling for internal components. The rear cap is hinged, providing easy access to the lamp for replacement.

A single AC input PowerCon connection along with two, five-pin DMX512 compatible connectors (in and through) are provided. The unit can be controlled from a wide variety of DMX512 consoles.

Each unit is equipped with an on-board processor providing diagnostic and self-calibration functions as well as internal test routines and software update capabilities.

The unit contains two independent three-phase stepper motors to provide movement of the head through 540° in the horizontal plane (pan) and 270° in the vertical plane (tilt). The pan and tilt mechanisms are belt-driven, providing positional resolution and repeatability of 0.3° on either axis.

A zoomable beam spreader mechanism provides continuous beam size control for rapid changes and smooth timed beam angle changes from 10° to 60°.

The unit contains a CYM color mixing system, as well as variable CTO color temperature correction.

One continuously spinning wheel, with removable color filters is included. The color wheel holds six interchangeable dichroic colors to allow for custom configurations. The unit comes equipped with a standard palette of dichroic color filters. (Custom colors are available from Vari-Lite.)

The unit contains a patterned glass dimmer wheel that provides full field dimming and allows for smooth timed fades and fast blackouts.

A dual blade strobe and dousing system provides variable strobe effects capable of rapid operation.

The unit shall be ETL and ETLc certified and CE-marked. Exterior finish is black.

Photometric Data*

VL3000 Wash Luminaire - 1200W Metal Halide					
Diffusion	Candela* (cd)	Beam Angle (degrees)	Beam Diameter TN ¹	Field Angle (degrees)	Field Diameter TN ¹
Mechanism at full spot	1,253,000	7.5	0.131	14.0	0.246
Mechanism at 25% flood	495,000	10.0	0.175	22.0	0.389
Mechanism at 50% flood	178,000	18.0	0.317	37.5	0.679
Mechanism at 75% flood	94,100	25.0	0.443	49.5	0.922
Mechanism at full flood	61,100	30.5	0.545	60.0	1.155

¹ Multiply distance by TN to determine coverage.

To calculate center beam illuminance (I), at a specific distance (D): $I = cd / D^2$

— if (D) is in feet, (I) is in foot candles

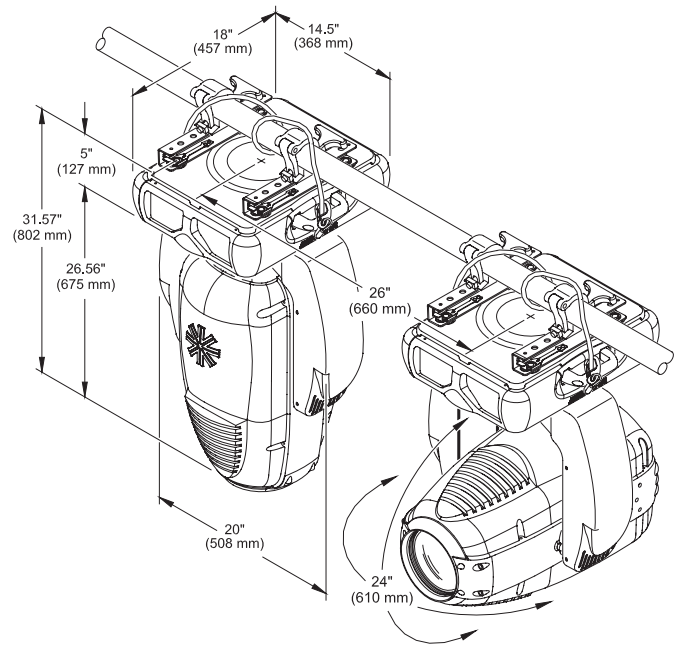
— if (D) is in meters, (I) is in lux

* Note:

All data taken with seasoned light source at 20 hours of life.

Fixture output = 20,000 lumens.

Hanging Dimensions



©2013 Philips Group. All rights reserved. Printed in the U.S.A. We reserve the right to change details of design, materials and finishes. Specifications are subject to change without notice. VARI-LITE automated lighting equipment is made in the U.S.A.

Vari-Lite

10911 Petal Street

Dallas, TX 75238

1.877.VARILITE

fax: 214.647.8038

www.vari-lite.com



VL3000_Wash - 073013NA