

PRELIMINARY

VLX™ Wash

l u m i n a i r e



The VARI***LITE**® VLX™ Wash luminaire is the next generation of solid-state lighting from the company that helped start the revolution in automated lighting.

The VLX gives you all the benefits of LED technology and the best visual performance characteristics of a tungsten source. VLX offers stunning colors and intensity, multi-year source life and high reliability. Combined with low energy consumption and maintenance costs, the Vari-Lite VLX resets the bar for all other LED fixtures.

Seven, proprietary, 90 watt CBM380 RGBW LED chipsets provide output that offers three times the efficacy of comparable tungsten sources. The total system provides greater than 10,000 lumens of output, and the 50,000 hour source life of the chip ensures that lamp replacement costs are a thing of the past. 70% lumen intensity maintenance over that time guarantees that the VLX will remain powerful and bright well into the future.

Because of the internal beam homogenization system, (patents pending) color mixing is smooth, natural, and free of "color shadowing" effects associated with other LED fixtures. Additionally, the VLX offers a CRI of 93, a continuously adjustable color temperature white range between 3000 and 6500 Kelvin, and seamless color mixing that all combine to create a source that behaves like familiar and effective tungsten luminaires without the associated costs and inefficiencies inherent in those systems.

Zoom control is achieved by the use of a patented lens system that offers 3:1 range from 22 to 60 degrees. Should a tighter beam be desired, the entire zoom system can be easily removed from the luminaire. Accessory mounting points are included allowing the attachment of additional, aftermarket beam control devices.

All movements are smooth, silent, and accurate under the control of the time-proven Vari-Lite three phase motor system with a full 540 degrees of pan and 270 degrees of tilt control.

The luminaire offers five-pin DMX in and thru connectors, Ethernet input, and a backlit menu panel for easy installation and operation. Control is achieved through a variety of DMX consoles and output devices. Large, rugged handles insure easy installation, and subdued style and understated lines allow for seamless integration into any lighting rig or stage setting. Pan and tilt transport/service locks and low fixture weight make moving the VLX as simple and efficient as it's operation.

VLX. Only from Vari-Lite. Accelerating LED lighting.

Programmable Functions

Intensity Control:	Smooth, high resolution dimming control of R,G,B, and W LED's.
Color Mixing System:	Seven x 90 watt RGBW CBM-380 LED chipsets.* Each chipset contains high density red, green, blue, and white LED emitters.
Zoom Optics:	Patented, 3:1 optical system with continuously variable field angle from approximately 22° to 60°. (Zoom module is easily removable for fixed field angle of 20°.)
Strobe:	High speed with multiple strobe effects.
Pan and Tilt:	Smooth, time-controlled continuous motion by way of a pair of three-phase stepper motor systems.
Range:	Pan - 540°, Tilt - 270°.
Accuracy:	0.3° resolution.

Description

Source:	Seven x 90 watt CBM380 RGBW chipsets. Color Temp. White: Variable between 3000 and 6500 Kelvin. CRI: 93 Manufacturer Rated Life: In excess of 50,000 hours. (L10 – 70%) Output: Exceeds 10,000 lumens.
Power Requirements:	Standard AC power distribution from 100-240VAC, 50/60Hz. The unit requires up to 10A depending (on the AC supply voltage).
Operational Temperature:	-20° to 122°F (-29° to 50°C)
Cooling:	Variable forced air cooling.
DMX Control:	Completely compatible with a wide variety of DMX512 lighting control consoles. 20+ channels depending on mode selected. 5-pin in and thru DMX. Ethernet port.
Mounting Position:	May be mounted and operated in any orientation.
Spacing:	Hangs on 22 inch (55.9 cm) centers.
Weight:	62 lbs. (28 kg.) with included pair of hanging rails.

Ordering Information

Luminaires:	
20.9690.0001	VLX Wash luminaire
20.9690.0001.02	VLX Wash luminaire, White paint
Accessories:	
22.9620.0194	Safety Cable Assembly
55.6840.0001	Truss Hook, Mega-Clamp (For round and square pipe.)
55.6841.0001	Truss Hook, Mega-Claw (For 2" round pipe.)

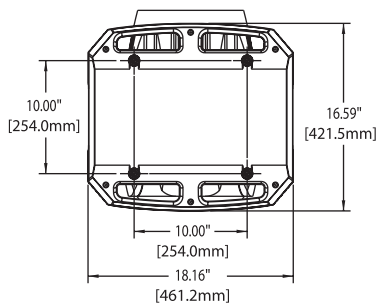
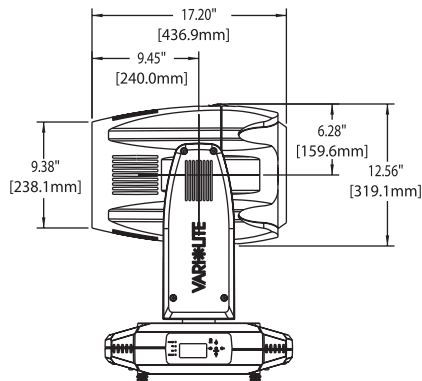
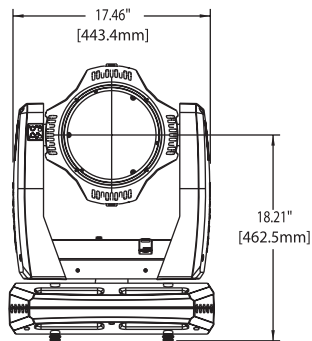
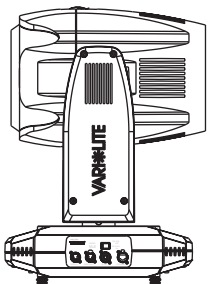
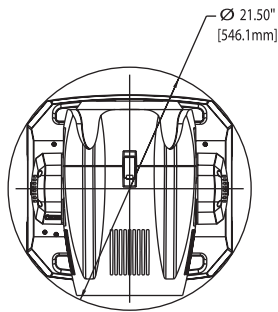
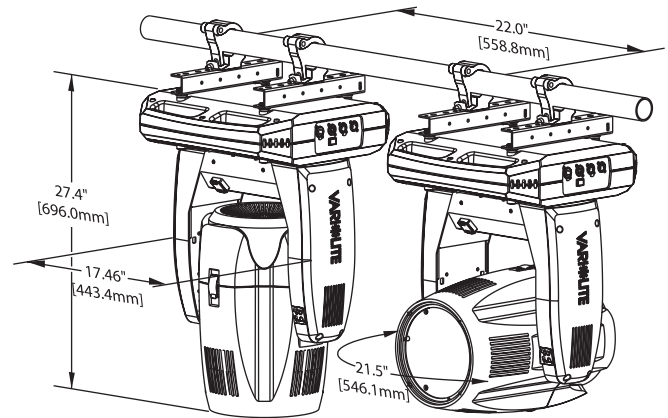
* = CBM-380 LED chipset by Luminus Devices, Inc.



PHILIPS
VARI*LITE**®**

VLX™ Wash

l u m i n a i r e



PHILIPS
VARI*LITE™

©2009 Philips Group. All rights reserved. Printed in the U.S.A. VARI*LITE™ is a trademark owned by Philips Group and is registered in the United States and other countries. VLX™ and the Vari-Lite Asterisk are also trademarks owned by Philips Group. Certain products listed in this document may be protected by applicable patents and patents pending. Philips will aggressively defend all of its intellectual property. We reserve the right to change details of design, materials and finishes. Specifications are subject to change without notice. VARI*LITE™ automated lighting equipment is made in the U.S.A.



Vari-Lite
10911 Petal Street
Dallas, TX 75238
1.877.VARILITE
fax: 214.647.8038
www.vari-lite.com

CE

VLX_0609