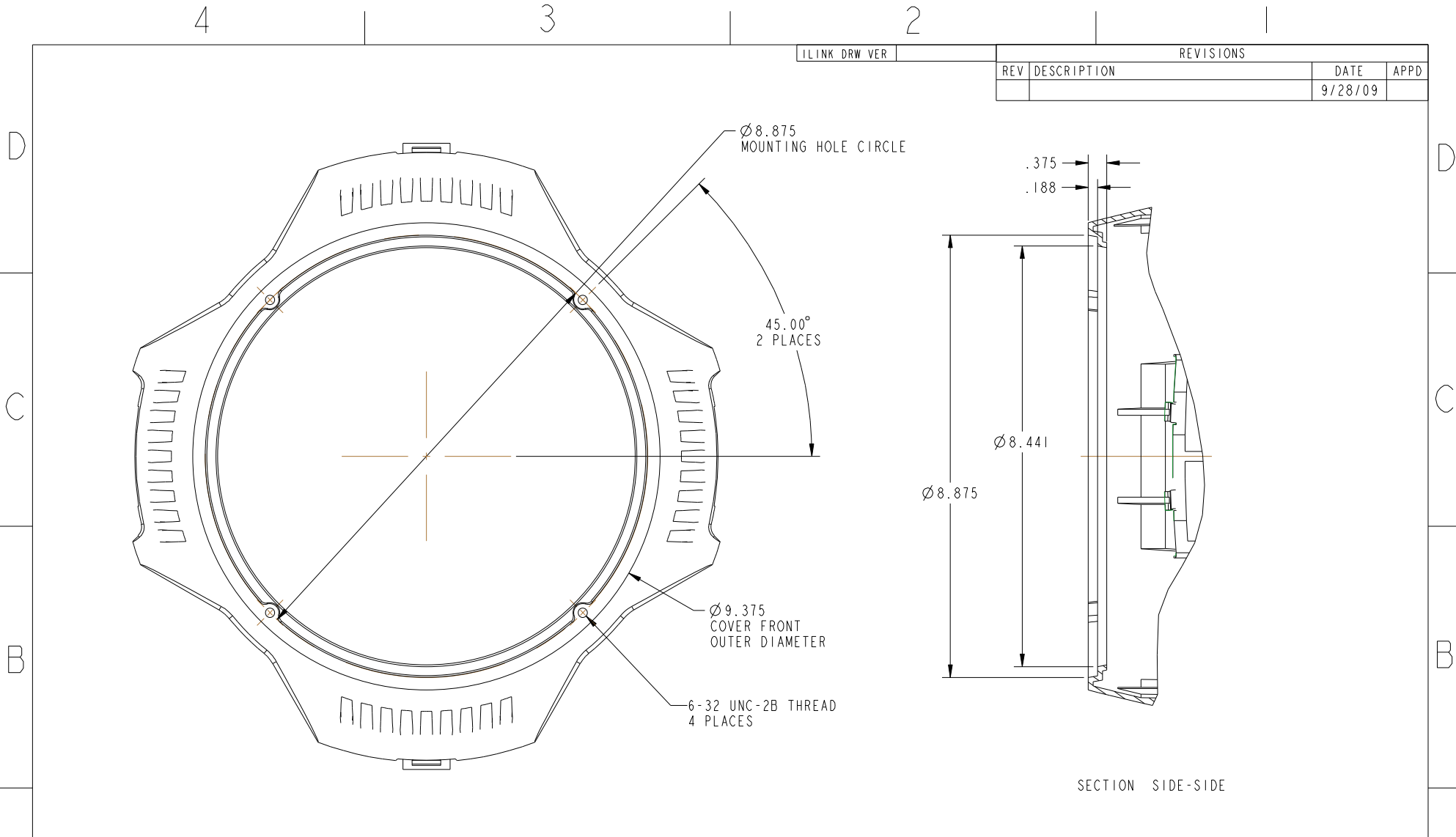


**Note:** Drawing for reference only and subject to change without prior notice. All after-market accessories must be approved by Vari-Lite as per Tech Notice TN-232. © 2009 Philips Group. All rights reserved.



LINK DRW VER		REVISIONS		
REV	DESCRIPTION	DATE	APPD	
		9/28/09		

GC SPECS: ALL MATERIAL PROTOTYPES, ARTICLE SAMPLES, AND PRODUCTION LOTS ARE TO BE DELIVERED IN CONFORMANCE TO USE OF THE FOLLOWING GENLYTE CONTROLS DOCUMENTS: OOP-0101 & GC-OA-F033

NEXT ASSY		TOLERANCE TABLE	X.X° = ± 0.5°	X.XX = ± 0.02	<b>VARI*LITE®</b> 10911 PETAL ST., DALLAS, TX 75238 <b>VLX ACCESSORY MOUNT</b>	
			X.XX° = ± 0.50°	X.XXX = ± 0.010		
NOTICE: INFORMATION AND DESIGN DISCLOSED ON THIS DOCUMENT ARE CONSIDERED PROPRIETARY AND SHALL NOT BE REPRODUCED OR DISCLOSED WITHOUT WRITTEN CONSENT. COPYRIGHT 2006 GENLYTE GROUP LLC. ALL RIGHTS RESERVED.	MATERIAL	DSN	TR	ALL DIMENSIONS ARE IN INCHES UNLESS NOTED OTHERWISE. REMOVE ALL BURRS AND SHARP EDGES.		
	FINISH	MATERIALS, PARTS AND PRODUCTS MUST COMPLY WITH THE ENVIRONMENTAL REQUIREMENTS OF P/N 02-9600-0001				
NOTES:				SIZE	REVISION	DRAWING NUMBER
				C	00	
				SCALE	1.00	PRO/ENGINEER SHEET 1 OF 1