

Philips Selecon Accent Spot – CDM

****OPERATION MANUAL****

THIS INFORMATION IS DESIGNED TO PROVIDE YOU WITH THE INFORMATION YOU NEED IMMEDIATELY UPON DELIVERY OF YOUR NEW LUMINAIRE.



If you require further assistance please contact your Philips Selecon dealer. www.seleconlight.com/distributors



Philips Selecon has packaged this product using environmentally friendly packaging. Please consider either reuse of the packaging or dispose of responsibly with your nearest recycling collection agency.

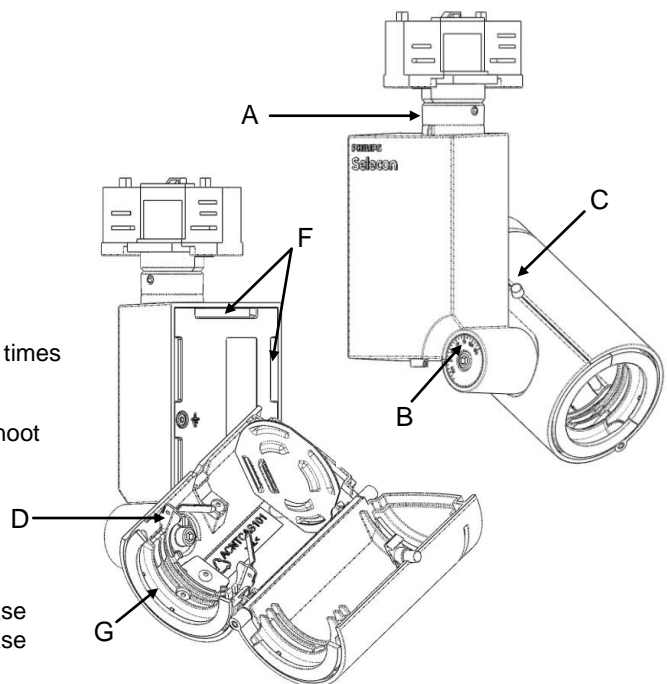
IMPORTANT!

Read this manual carefully before attempting to install, operate or maintain the Accent Spot. Follow the instructions in this manual. Philips Selecon accepts no responsibility if the customer fails to do so.

For each customer, operating conditions will vary, sometimes greatly. Such variations may affect the luminaire's performance. Philips Selecon has no control over the customer's unique operating environment. Hence, Philips Selecon makes no representations or warranties concerning the luminaire's performance under the customer's actual operating conditions. All operating parameters must be validated for each customer application by the customer's technical experts.

KEY OPERATING POINTS AND FEATURES

- A: Pan lock with reference scale and Allen key lock-off
- B: Tilt lock with reference scale and Allen key lock-off
- C: Spot lid locking clip
- D: Lamp Holder (accepts MR16 lamp with GX10 base)
- E: Lamp Base (GX10)
- F: Ventilation slots. These vents must be unobstructed at all times
- G: Accessory holder (3 slots allows varies size accessories)
Front accessory slot accepts the beamshaper, barn door or snoot



LAMPING UP

- 20W PHILIPS MASTERColour CDM - GX10 Base
- 35W PHILIPS MASTERColour Elite CDM - GX10 Base
- 50W PHILIPS MASTERColour Elite CDM - GX10 Base



Carefully read the manufacturer's instructions for safe lamp handling / use and disposal of used lamp.

To insert the lamp, push in the lid locking latch on the lamp housing and open the lid. Insert the lamp into the lamp base and twist clockwise ensuring it is fully home. Push lamp in to lamp holder and ensure it is located on the tabs at the bottom.

The Philips Selecon Accent Spot CDM has a built-in ballast to convert from your local voltage to the voltage required by the lamp. Once you have installed the lamp your luminaire should be ready for use.

Recommendation to 'Burn-In' CDM-Rm Lamps

Due to colour shifts in new CDM MR16 lamps we recommend that these lamps are run continuously for a minimum 'burn-in' period of 20hrs prior to final installation.

DIMMING NOTE:- CDM units CANNOT be installed and run on a dimmed power supply/track.

PAN TILT ADJUSTMENT



Adjusting the pan angle

Release the set screw above the ballast box (as shown) and adjust accordingly. Re-lock after adjustment.



Adjusting the tilt angle

The tilt can be adjusted by unlocking the hex screw located as shown. Re-lock after adjustment.

ACCESSORIES

- Barndoor **ARLBD******
- Snoot **ARLSN******
- Beamshaper **ACNTMHBS**** (Beamshaper without a lamp)
- Various coloured glass and effects available

**** 01 for White, 03 for Black, 0103 for Black/White

** 01 for White, 03 for Black

Mounting options include track adaptors, ceiling mount plate, suspension hook clamp. For full details contact your Philips Selecon dealer: www.seleconlight.com/distributors

SAFETY AND MAINTENANCE

Keep your Accent Spot in top condition and performing at its best by cleaning it regularly with a soft cloth.

The above is the only maintenance task that can be safely carried out by non approved personnel.

Philips Selecon has manufactured this luminaire in accordance with recognised best practices to recommended international safety standards. It is your responsibility to maintain this luminaire in good and safe working condition.

Repairs should only be carried out by suitably qualified persons. Do not operate the luminaire with damaged lamps or cables, etc. Consult your Philips Selecon distributor for assistance. Only replace damaged parts with authorised Accent spare parts.

N.B. Luminaire electrical cable – your Accent Spot is fitted with special heat resistant flexible cable, replace with genuine Accent spare part cable kit only – please refer to your Selecon distributor.

(Replacement cable kits are supplied complete with necessary terminal connectors).

ELECTRICAL INSTALLATION

WARNING!!!

Risk of fire and electric shock. This product is to be installed by a qualified electrician only. This luminaire employs a grounded type receptacle and is not intended for connection to a two-wire, ungrounded source of supply.

When installing this luminaire use wire conductor colour codes as follows:

- | | |
|---------------------|-------------------|
| Brown | - Phase, Live |
| Blue | - Neutral, Return |
| Green/Yellow | - Earth |

LIMITED WARRANTY

Philips Selecon ("Selecon") warrants all Philips Selecon luminaires against defects in materials or workmanship. The term of this warranty is **three years**; from the date of delivery, and is dependent on the following operating conditions:

FOR ARCHITECTURAL DISPLAY: the Accent Spot is used as a display light and in conditions typically found in a museum being 10 to 12 hours daily, 7 days per week.

For full details of the Philips Selecon Warranty, please refer to our website: www.seleconlight.com

Australian customers - please refer to the Australia specific warranty card included with this product.

www.vari-lite.com