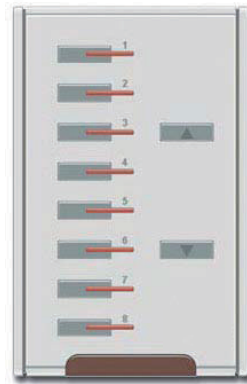


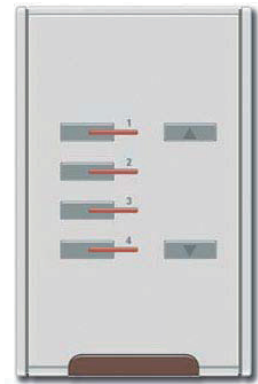
Accent DMX Preset Control Stations

Designed for the European and Asian markets, Accent DMX stations are simple to use and operate. Each station supports up to 48 DMX dimmers. Room 1 has dimmers 1-48, room 2 has dimmers for 49-96 and each additional room increments in blocks of 48 to a maximum of 8 rooms. Room selection is via dipswitch on the back of each station. A21, Wallrack, and C21/EC21 racks support DMX512 patching allowing the creation of smaller rooms using their integrated Mux patch functionality.

Each station has a built in IR port for use with the included IR remote programmer. The programmer allows the operator to record, modify and playback presets on each station. Designed to fit in a single gang back box these stations provide a clean simple to use control interface. Presets can be selected at the touch of a button and the integrated raise lower keys allow the operator to master an entire preset proportionally.



Eight Button Preset Station with Raise/Lower Control



Four Button Preset Station with Raise/Lower Control

Features

- Available in Asian markets
- Four and Eight Preset Control Stations with individual preset fade times
- Raise Lower Mastering
- Up to 48 dimmers per room, up to 8 stations and 8 rooms per system
- Room selection by dip switch selection on control station no special programming required
- Compatible with all Strand Dimmer Racks (DMX-512)
- Wireless IR remote provided with each station for simple programming and remote preset access
- Secure, fastener-free faceplates
- Secure digital control wiring system
- Fits standard U.S. 1 gang deep masonry box
- DMX512(1990) output



Wireless IR Remote Programmer

PHILIPS
Strand Lighting

SPECIFICATION SUBMITTAL

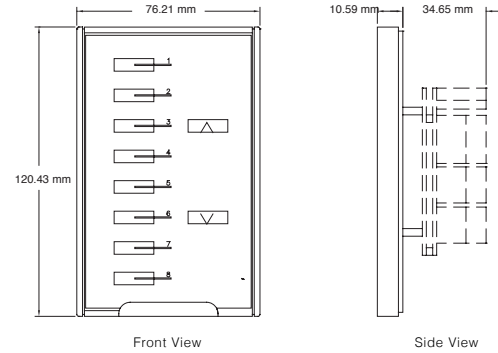
CONSULTANT: <input type="text"/>	PROJECT NAME: <input type="text"/>	MODEL NUMBER QUANTITY: <input type="text"/> <input type="text"/> <input type="text"/> <input type="text"/> <input type="text"/> <input type="text"/>
DATE: <input type="text"/>	PROJECT NUMBER: <input type="text"/>	APPROVED BY: <input type="text"/>

Introduction

Accent DMX preset control stations are simple-to-use and operate. Each button station supports up to 48 dimmers. Room 1 has dimmers 1-48, room 2 has dimmers for 49-96, and each additional room increments in blocks of 48 to a maximum of 8 rooms. Room selection is via dipswitch on the back of each station making set-up a snap.

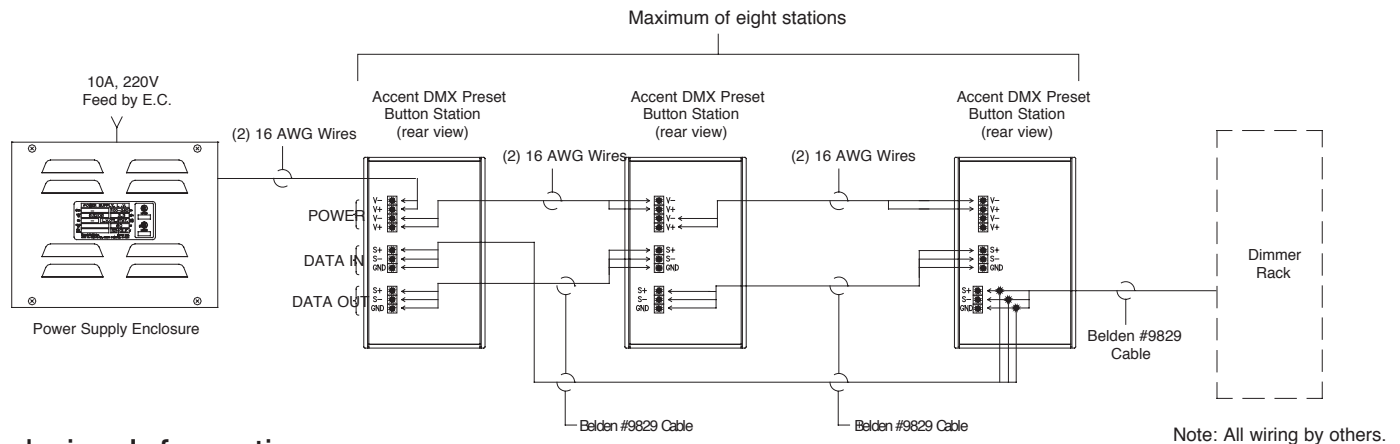
Each station has a built in IR port for use with the included wireless IR remote programmer. The programmer allows the operator to record, modify and playback presents on each station. Designed to fit in a single gang back box, these stations provide a simple-to-use control interface.

Presets can be selected at the touch of a button and the integrated raise/lower keys allow the operator to master an entire preset proportionally.



Front View
Side View
Note: Back boxes by others

Sample System Diagram



Ordering Information

Cat No. Description

Accent DMX Preset Control Stations		Accent DMX Preset Control Station Accessories	
63200	Eight Button Accent DMX Preset Station with Wireless IR Remote Programmer	63203	Accent DMX Wireless IR Remote Programmer (Spare)
63201	Four Button Accent DMX Preset Station with Wireless IR Remote Programmer	63205	Accent DMX Room Combine Station

Philips Strand Lighting

ASIA

Philips Entertainment Lighting Asia Limited

Unit C, 14/F,
Rox Industrial Centre,
NO. 41 - 49 Kwai Cheong Road,
Kwai Chung, N.T. Hong Kong
Tel: +852 27969786
Fax: +852 27986545
email: pela_info@philips.com

Philips Group 2015. All rights reserved.

The Company reserves the right to make any variation in design or construction to the equipment described.
E&OE Philips Entertainment delivers fully integrated lighting solutions; from simple lamps to complete systems designed with the specific needs of the entertainment and specialized display lighting markets.

