

ARENA range FRESNELS (8-inch/10-inch lens) and PC (8-inch lens) OPERATION MANUAL



IMPORTANT NOTE:

Before discarding the packaging ensure you have the suspension bolt set, color frame /or the lamp.

THANK YOU FOR PURCHASING A PHILIPS SELECON FIXTURE. WE HAVE DESIGNED THIS FIXTURE TO PROVIDE YOU WITH A SUPERIOR FITTING IN PERFORMANCE, DESIGN & ENGINEERING. WE ARE CONFIDENT THAT IT WILL PERFORM TO YOUR EXPECTATIONS FOR MANY YEARS TO COME.

Before operating your new fixture please read this information to assist you in making maximum use of your fixture, its maintenance and care. If you would like further assistance contact your Philips Selecon dealer or Philips Selecon.

LAMPING YOUR FIXTURE

The Arena Fresnels and PC range are fitted with a G38 lamp socket for the 120V CYX 2000W lamp.

Before relamping – DISCONNECT THE FIXTURE FROM THE POWER SUPPLY. Be aware also that the lamp or fixture may still be hot, so exercise necessary caution to avoid burns. Please note also that these fixtures are not suitable for mounting on a normally flammable surface.

- Release the clip fastener and swing down the rear door.
- Insert lamp taking care not to touch the quartz envelope with your fingers.
- Close door and lock off the fastener.

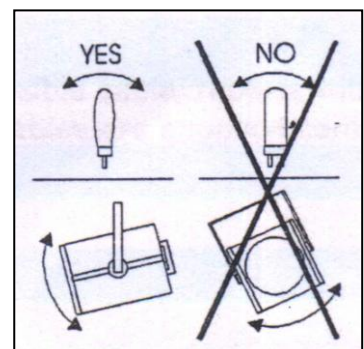
RIGGING YOUR FIXTURE

Your fixture uses a theatre lamp with a grid filament. To avoid premature lamp failure it is essential that the fixture is always mounted so the yoke is horizontal and with the lamp base down, i.e: the lamp adjustment knob is at the bottom of the rear lamp plate.

To mount on theatre standard scaffold pipe (48mm O.D) use theatre hookclamps. The fixture is supplied with a 12mm set screw, washers and nut.

Please note we recommend the use of Megaclamp or similar heavy duty clamp for use with the Arena range.

To mount on a telescopic stand (Order Code: STDTH), reverse the yoke under the fixture and bolt the stand's spigot onto the 12mm set screw.



A safety chain (Order Code: 20SC) MUST always be used when rigging fixtures on bars, ladders etc. The safety chain is passed through the fixture anchor point hole located at the rear of the fixture and around the bar. Be careful to allow sufficient slack to allow the fixture to be focused freely. Selecon supply a safety chain with all theatrical / entertainment fixtures.

The fixture should be at least 6 ft away from the nearest object it is lighting.

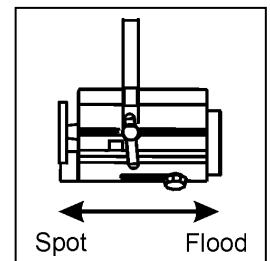
YOKE AND PIVOT POINT

The yoke can be positioned anywhere in the channel that runs the length of the fixture. This is useful to achieve the best balance if using a color changer or other accessory mounted on the front of the fixture, or to fit the fixture in space restricted positions.

The yoke balance point is factory set on the lens tube for normal applications. To move the yoke, loosen the M8 bolts at the bottom pivot point of the yoke on each side of the fixture. Slide the yoke to the required position, check the yoke is evenly positioned on each side and tighten the M8 bolts.

FOCUSING

The variable beam focus position of the Arena range is altered by adjusting the lamp/reflector position in relation to the front lens. Finger tight pressure only is necessary to lock the lens off in their chosen positions. A reference scale is provided to record settings.



Please note that the handles on the Arena range can reach high temperatures depending on the position or orientation of the fixture, and that gloves should always be worn when focusing these fixtures.

PAN AND TILT ADJUSTMENT

To pan your fixture loosen the top suspension nut and adjust, then retighten. To tilt, loosen the locking clamp handle on the side of the fixture, tilt and retighten finger tight.

ACCESSORIES

- Safety Chain (Order Code:20SC)
- Lens Safety Mesh (Order Code: 20SM24)
- Color Frame - the fixture is supplied with a color frame. Additional color frames are available (Order Code: 20CFSF2020)
- Barndoors – 20BDSF2020

CLEANING

Open the down –swinging door, and clean the lens and or reflector with a soft lint free cloth.

This is the only maintenance task that can be safely carried out by non-approved personnel. Refer below – Safety & Maintenance note.

SAFETY & MAINTENANCE

Philips Selecon has manufactured this fixture in accordance with recognised best practices to recommended international safety standards. It is your responsibility to maintain this fixture in good & safe working condition.

Repairs should only be carried out by suitably qualified persons. Do not operate the fixture with cracked lens, damaged cable, etc. Consult your Philips Selecon distributor for assistance. Only replace damaged parts with authorised Philips Selecon spares.

REGISTER THIS PRODUCT WITH PHILIPS SELECON: www.seleconlight.com/warrantyreg

N.B. Fixture Cable – Your Philips Selecon fixture is fitted with special heat resistant flexible cable, replace with genuine Philips Selecon spare part cable kit only – refer to your Philips Selecon distributor. (Replacement cables are supplied complete with necessary terminal connectors)

Cable Conductor color codes: Brown - Phase, Live
 Blue - Neutral, return
 Green/Yellow - Earth

LIMITED WARRANTY

Philips Selecon warrants its products against defects in materials or workmanship. The term of this warranty is based on the product usage and is from the date of delivery.

Usage – Entertainment, Theatre Term - Three Years

Entertainment, Theatre relates to the typical conditions found in a theatre performance venue viz: 4 – 6 hrs per day, six days per week.

This warranty is void in any of the following circumstances: (a) The fixture has been misused, neglected, damaged or abused. (b) The fixture has been improperly installed, operated, repaired or maintained. (c) The fixture has been modified. (d) The fixture has been connected to other equipment with which it is not compatible. (e) The fixture has been used or stored in conditions outside its electrical or environmental specifications. (f) The fixture has been used for purposes other than for which it was designed. (g) The fixture has been used outside its stated specifications and operating parameters.

Correct installation of the luminaire is the owner's responsibility.

To assert a warranty claim, complete the Philips Selecon Return Authorisation Form (available from Philips Selecon). Return the fixture to Philips Selecon or its authorised agent.

If Philips Selecon accepts the warranty claim, Philips Selecon will provide, or arrange for, service, repair or replacement as Philips Selecon shall determine in its sole discretion. Philips Selecon shall bear the cost of such service, repair or replacement. However, the owner shall bear the cost of freight and insurance on the fixture, both ways. If Philips Selecon does not wish to service, repair or replace the defective fixture, it shall refund the purchase price.

Philips Selecon's sole responsibility is to repair, replace or service a fixture subject to a valid warranty claim. Under no circumstance will Philips Selecon be liable for direct, indirect, incidental, special or consequential costs or damages, including dismantling and re-installation costs, loss of operations or profits, to the maximum extent permitted by law.

Philips Selecon accepts no liability for personal injury or property damage resulting from failure to heed relevant operating and safety procedures specified by Philips Selecon or imposed by law.

This is an express warranty. Philips Selecon disclaims any other express or implied warranties, including warranties of merchantability or fitness for purpose, to the maximum extent permitted by law.

Some jurisdictions do not allow limitations or disclaimers of implied or statutory warranties. Some jurisdictions do not allow disclaimers or exclusions of consequential or incidental damages. Therefore, the above disclaimers, limitations and exclusions may not apply in all jurisdictions in which Philips Selecon sells its luminaires.

This warranty gives the owner specific legal rights. The owner may have other rights or remedies pursuant to the laws in its territory. Nothing in this limited warranty should be construed as limiting or restricting any other statutory right or remedy of the owner, except for such limitations or restrictions herein as may be allowed by the law of the territory.

Philips Selecon has a policy of continual product improvement and specifications are subject to change without notice.

www.vari-lite.com