

CHILLI PRO 1210 HF

NEUTRAL DISCONNECT BREAKERS

GENERAL SPECIFICATIONS

DESCRIPTION

The Chilli Pro 1210HF is a compact wall mounting unit for controlling HF and DSI ballasts, designed to provide a professional range of features while offering Zero 88's standard ease of use, reliability and affordability. The Chilli Pro 1210HF is exceptionally easy to install. The unit is located by two screws and secured by a further two. Removing the front cover is simple and allows for quick access for installation and maintenance.

The user interface comprises a numeric keypad and backlit LCD display to make for ease of use in setting up and using the controller including the ability to network dimmers together, via ChilliNet.

The Chilli Pro 1210HF is shipped in Entertainment mode. In this mode, the networking features are disabled to enable the dimmer to be used for traditional dimming applications. Activation of the Network mode provides access to networking features, allowing dimmers to be linked together or zoned for architectural applications, whilst retaining the ability to use DMX.

SUPPLIED ACCESSORIES

- Installation / Operating instructions

ORDERING INFORMATION

- Chilli Pro 1210i HF: 01-126-00



SPECIFICATIONS

Standard DMX Specifications

- Number of channels: 12 dimmer + 12 switch
- DMX Address: Addressable per channel
- Outputs: 12 x 1-10 volt dimmed circuits at 60 mA sink current per channel/ Or 12 x Tridonic DSI outputs. Plus 12 x 230V 10Amp Relays for power switching of non-dim loads
- Total load capacity: 120A (40A per phase)
- Dimmer Curves: Normal, Linear, Switched and Square
- Memories: 12
- Sequences: 3
- Topset: Selectable per channel.
- Supply voltage: 200-255V (Option for 100-130V)
- Operates on single phase or three phase star
- Supply frequency: 45 to 70Hz
- Control input: DMX via terminal block accepts DMX 512-1990. Start address set via front panel controls. DMX termination may be switched in or out internally.
- Mains Channel outlets: Outlet connections via 6mm² terminal strip.
- Control Voltage outlets: Outlet connections via 2.5mm² terminal strip
- Case has the following knockouts:
 - Top 12 x Ø25.5mm, 1 x Ø38.3mm;
 - Bottom 1 x Ø25.5mm.
- Channel protection: 10A, curve C, neutral disconnect, thermal magnetic circuit breaker per channel, breaking capacity 6000A.
- Cooling: Convection
- Dimensions: H=550mm, W=220mm, D=155mm
- Weight: 9 Kg

Additional Networking Specifications

- 10 Areas / Zones
- 1 Master Area / Zone
- 12 Memories per Area / Zone
- 3 Assignable Sequences per dimmer
- Alarm Input
- User selectable DMX interface relationship
 - DMX on/off
 - DMX precedence
 - HTP



Zero 88 Lighting Ltd.

Tel : +44 (0) 1633 838088

Fax : +44 (0) 1633 867880

Email : enquiries@zero88.com

web : www.vari-lite.com

© Zero 88 Lighting Ltd. March 2006 (EU). Issue 3

E&OE. Zero 88 reserves the right to make changes to equipment and prices without prior notice.



CHILLI PRO 1210 HF

NEUTRAL DISCONNECT BREAKERS

ENGINEERING SPECIFICATIONS

ELECTRONICS

The dimmer unit shall provide 12 channels of 1-10V HF dimming control or 12 channels of DSI dimming control selectable via an internal dipswitch. The dimmer unit shall also provide an additional 4 power switching relays, rated at 10A@230VAC maximum are for the switching of non dim loads.

Each dimmer channel shall be protected by a 10 amp, Curve C, neutral disconnect, thermal magnetic circuit breaker. Circuit breakers shall have a 6000A breaking capacity.

DMX input shall be via a terminal block. It shall be possible to switch DMX termination in or out internally. DMX start address shall be settable from the front panel user interface. It shall be possible to set an individual DMX address per channel. DMX present and DMX error information shall be provided on the LCD display. The dimmer shall provide four dimming laws: Normal, linear, switched and square. These laws shall be selectable via the user interface.

It shall be possible to dictate the actions of the dimmer in the event of DMX control signal loss via the front panel user interface. Options shall be given to hold the last known lighting state, fade to one of the user defined on board memories over 3 seconds or fade to black in 3 seconds.

Using the front panel user interface it shall be possible to carry out several functions. It shall be possible to test each channel of the dimmer and to adjust each channels test level.

The dimmer shall operate in two modes - Entertainment or Networking. In Entertainment mode it shall be possible to store up to 12 memories in the dimmer by grabbing the current DMX levels of all channels. It shall be possible to create up to three 12 step chase sequences comprising any of the 12 onboard memories. It shall be possible to play back any of the 12 memories or 3 sequences via the user interface. It shall be possible to set a topset level per channel. In Network Mode it shall be possible to create up to 10 Areas or Zones and create a Master Area for overall control of these Areas. Each Area shall be capable of storing 12 memories. It shall be possible to assign 3 sequences per dimmer. The dimmer shall feature an alarm input for use with emergency systems. It shall be possible to select the DMX interface relationship per Area (DMX on/off, DMX takes precedence or HTP). Dimmer outputs shall be via internal terminals, with separate live, neutral and earth connections for each channel.

The dimmer shall be convection cooled, requiring no forced air within its normal operating range.

The user interface shall comprise a backlit 16-button display with 2 x 16 character backlit LCD display.

ELECTRICAL

The controller shall operate on a three phase mains supply. Power input shall be a 25mm² terminal for neutral, 3 x 25mm² for live and a 5mm stud for Earth.

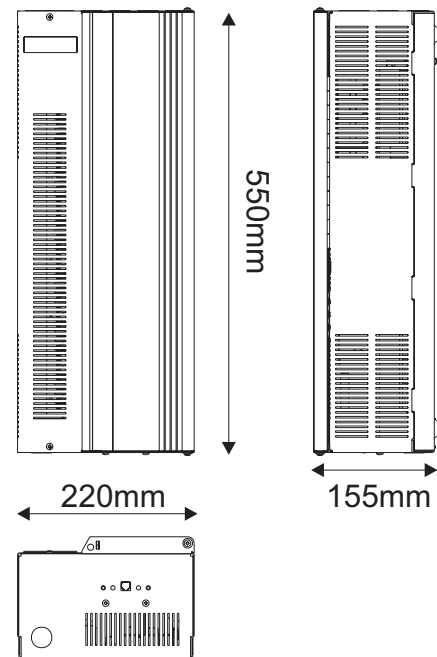
MECHANICAL

The controller shall be designed for wall-mounted use. The controller shall be 220 mm wide x 155 mm deep x 550 mm in height. The controller shall be designed in two main parts, a chassis and a cover. The chassis shall be constructed of 1.2mm gauge steel and shall contain the dimming and control electronics. The chassis shall be fixed to the wall by 4 fixings, the uppermost being of a keyhole type to enable simplified installation. The front panel shall be designed for easy removal to facilitate installation and access to the electronics for maintenance. The controller cover shall be constructed using 1.2mm gauge steel. The cover shall be fixed to the chassis by 4 screws. A hinged panel shall be provided to cover the circuit breakers and user interface.

All metal surfaces shall be properly treated and finished with specialist paints or powder coat. The controller shall have knockouts for cable entry on the top and bottom panels. The size of knockouts shall be: Top: 1 x Ø 38.3mm & 12 x Ø 25.5mm, Bottom: 1 x Ø 25.5mm.

MCB's and user interface shall be located on the front panel of the dimmer.

The normal operating environment for the controller shall be +5deg C to +40deg C.



zero[®]88

Zero 88 Lighting Ltd.

Tel : +44 (0) 1633 838088

Fax : +44 (0) 1633 867880

Email : enquiries@zero88.com

web : www.vari-lite.com

© Zero 88 Lighting Ltd. Maech 2006 (EU). Issue 3

E&OE. Zero 88 reserves the right to make changes to equipment and prices without prior notice.

