

## Philips Selecon Fresco LED Wall Washer

### **\*\*OPERATION MANUAL\*\***

THIS INFORMATION IS DESIGNED TO PROVIDE YOU WITH THE INFORMATION YOU NEED IMMEDIATELY UPON DELIVERY OF YOUR NEW LUMINAIRE.

If you require further assistance please contact your Philips Selecon dealer. [www.seleconlight.com/distributors](http://www.seleconlight.com/distributors)



Philips Selecon has packaged this product using environmentally friendly packaging. Please consider either reuse of the packaging or dispose of responsibly with your nearest recycling collection agency.

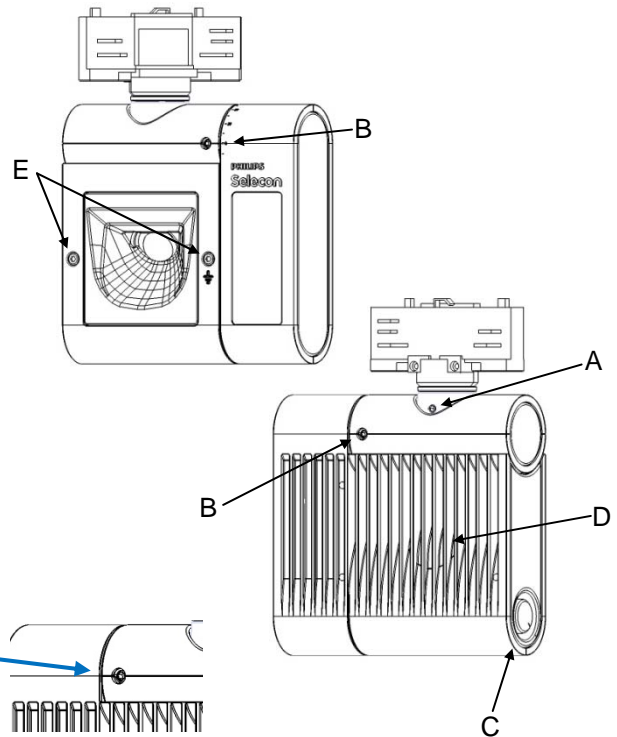
#### **IMPORTANT!**

Read this manual carefully before attempting to install, operate or maintain the Fresco LED Wall Washer. Follow the instructions in this manual. Philips Selecon accepts no responsibility if the customer fails to do so.

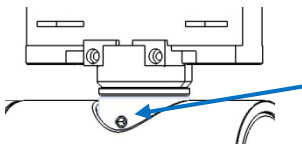
For each customer, operating conditions will vary, sometimes greatly. Such variations may affect the luminaire's performance. Philips Selecon has no control over the customer's unique operating environment. Hence, Philips Selecon makes no representations or warranties concerning the luminaire's performance under the customer's actual operating conditions. All operating parameters must be validated for each customer application by the customer's technical experts.

#### **KEY OPERATING POINTS AND FEATURES**

- A: Pan lock with and Allen key lock-off, accessible at any angle
- B: Two tilt locks with reference scale and Allen key lock-off, allowing lock-off at any angle
- C: Dimming control for local dim option
- D: Integrated heatsink allows passive cooling
- E: Fasteners included for easy barn door accessory mounting

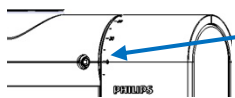


#### **PAN TILT ADJUSTMENT**



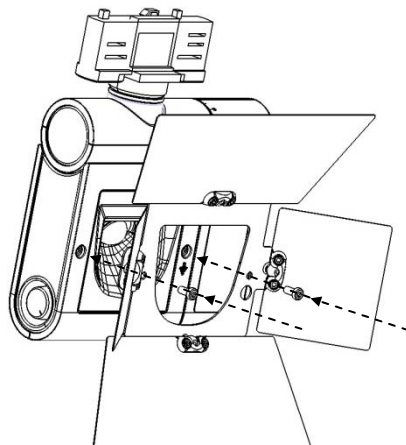
##### **Adjusting the pan angle**

Release the set screw at the top of the unit (as shown) and adjust accordingly. Re-lock after adjustment.



##### **Adjusting the tilt angle**

The tilt can be adjusted by unlocking the visible set screw, located as shown. Re-lock after adjustment.



##### **Mounting the barn door accessory**

Undo the two cap screws in the front of the unit. Place the barn door on to the unit, as shown, and do up the cap screws securely.

## **VERSIONS AVAILABLE**

- 18W Max / 220-240v (1100 Lumens).95 CRI 3000K 35,000 hrs
- 23W Max / 220-240v (2000 Lumens) 95 CRI 3000K 35,000 hrs

Mounting options include track adaptors, ceiling mount plate, suspension half coupler. For full details contact your Philips Selecon dealer: [www.seleconlight.com/distributors](http://www.seleconlight.com/distributors)

## **DIMMING**

### **Local Dimming Version**

Fresco LED Wall Washer models with local dimming **CANNOT** be installed and run on a dimmed power supply/track.

If your Fresco LED Wall Washer model includes a local dimmer, ensure that the dimming knob on the Fresco LED is at its "Full" position (completely clockwise) to test fitting.

### **DALI Dimming Version**

Fresco LED Wall Washer models with DALI dimming control have no local dimmer.

If your Fresco LED Wall Washer model is a DALI version, refer to your DALI operation manual as provided by your DALI supplier.

## **ACCESSORIES**

- Barndoor **FRSLEDBD01** (White)  
**FRSLEDBD03** (Black)

## **SAFETY AND MAINTENANCE**

Keep your Fresco LED Wall Washer in top condition and performing at its best by cleaning it regularly with a soft cloth.

The above is the only maintenance task that can be safely carried out by non-approved personnel.

Philips Selecon has manufactured this luminaire in accordance with recognised best practices to recommended international safety standards. It is your responsibility to maintain this luminaire in good and safe working condition.

Repairs should only be carried out by suitably qualified persons. Do not operate the luminaire with damaged lamps or cables, etc. Consult your Philips Selecon distributor for assistance. Only replace damaged parts with authorised Fresco LED Wall Washer spare parts.

## **ELECTRICAL INSTALLATION**

### **WARNING!!!**

Risk of fire and electric shock. This product is to be installed by a qualified electrician only. This luminaire employs a grounded type receptacle and is not intended for connection to a two-wire, ungrounded source of supply.

When installing this luminaire use wire conductor colour codes as follows:

<b>Brown</b>	- Phase, Live
<b>Blue</b>	- Neutral, Return
<b>Green/Yellow</b>	- Earth

### **Notes:**

For ceiling rose models the terminal block is to be covered by suitable insulation tape at time of installation.

Minimum 90°C supply conductors to be used.

Track adapter models are only to be fitted to approved and compatible track systems.

## **LIMITED WARRANTY**

Philips Selecon ("Selecon") warrants all Philips Selecon luminaires against defects in materials or workmanship. The term of this warranty is **three years**; from the date of delivery, and is dependent on the following operating conditions:

**FOR ARCHITECTURAL DISPLAY:** the Fresco LED Wall Washer is used as a display light and in conditions typically found in a museum being 10 to 12 hours daily, 7 days per week.

For full details of the Philips Selecon Warranty, please refer to our website: [www.seleconlight.com](http://www.seleconlight.com)

**Australian customers - please refer to the Australia specific warranty card included with this product.**

---

[www.vari-lite.com](http://www.vari-lite.com)