

## GENERAL SPECIFICATIONS

## DESCRIPTION

The Frog-Box is a 19" rack mountable replay unit designed for use with the Frog family of consoles. The Frog Box can be used as a back up to your console or as a stand alone replay unit in applications such as retail, trade shows and display lighting.

The Frog-Box is designed using the same navigation buttons and LCD display as the Frog console range making it easy to use, whilst maintaining Zero 88 standards of reliability and affordability.

Using specialist software, the Frog-Box can be programmed with multiple cue lists, timed events and automatic shows.

Provided with each Frog-Box is a 6-button controller that can be used to select one of the five internal memory sequences. Each of these sequences can contain up to 990 memories. The 6<sup>th</sup> button on the controller is a Go button to manually trigger memories within any of the memory sequences.

## MAIN FEATURES

- 1024 DMX Channels
- Remote sequence control module
- 5 Cue stacks of 990 memories
- Manual or Automatic 'Go' functions
- Monitor and Keyboard Connectors
- Integral Floppy Disk Drive
- Lockable editing functions using front panel keyswitch

## SUPPLIED ACCESSORIES

- Remote control unit
- Installation / Operating instructions

## ORDERING INFORMATION

- Frog-Box: 00-731-00

## SPECIFICATIONS

- Control Channels : 1024 DMX Channels on 2 universes.
- DMX Output : DMX 512 1990 protocol via XLR 5 fixed socket
- DMX Input : DMX 512 via front panel mounted XLR 5 fixed plug
- SMPTE Connector : Rear Mounted XLR 3 fixed plug
- Networking : Rear Mounted Ethernet port. Rear Mounted Ican port supporting ChilliNet & iCanNet
- Audio Input : Stereo 1/4" jack socket. 100mV to 100V
- Midi In and Thru ports : 2 x 5 pin 180 DIN
- Keyboard connection : PC Standard UK Keyboard via PS/2 connector
- Mouse : PS/2 or compatible mouse via mini DIN (PS/2) connector
- Video output : 15 pin D type SVGA connector.
- Required Monitor Specification : 1024 x 768 non interlaced display, 60Hz refresh rate.
- Parallel port : 25 pin D type male connector
- Remote trigger connection : Rear mounted 8 Pin Din
- Power Supply: In Line switched mode power supply with CEE22 mains inlet.
- Connection to unit via XLR4 on rear panel.
- Supply Voltage: 100-250 VAC 50 / 60 Hz
- Mounting : 19" Rack Mounting, 2U high
- Dimensions: 88 mm (H) x 483 mm (W) x 350 mm (D)



zero<sup>88</sup>

Zero 88 Lighting Ltd.

Tel : +44 (0) 1633 838088

Fax : +44 (0) 1633 867880

Email : enquiries@zero88.com

web : www.vari-lite.com

© Zero 88 Lighting Ltd. September 2001 (EU). Issue 1

E&OE. Zero 88 reserves the right to make changes to equipment and prices without prior notice.



## ENGINEERING SPECIFICATIONS

### ELECTRONICS

The unit shall function as a replay device for shows recorded on any of the Zero 88 Frog family of lighting control consoles. The unit shall have two DMX universes and the ability to control up to 1024 channels of DMX. The unit shall have an integral 3.5" floppy disk drive for loading shows and for operating software upgrades. The unit shall have a front panel mounted Key switch to disable the unit's editing functions.

The unit shall have a DMX In connection on the front panel. Connection shall be via a front mounted 5 pin XLR. The rear panel of the unit shall have 2 DMX Out Connections via 5 pin XLR. DMX signal shall comply with the DMX 512 1990 protocol specifications. Provision for the connection of a mouse and a keyboard shall be standard. The unit shall provide full SMPTE support as both a timecode master and a timecode slave unit. Connections for SMPTE shall be made via an XLR 3 fixed plug on the rear panel of the unit. Midi in and thru shall be provided via 2 x 5 pin 180 Din connectors. RJ45 and RJ12 connectors shall be provided on the rear panel. These connectors shall support networking via Ethernet, ChilliNet and iCanNet. The unit shall provide visual feedback of its operation via an external monitor. Monitor connections shall be via a 15 pin D type SVGA connector.

### OPERATION

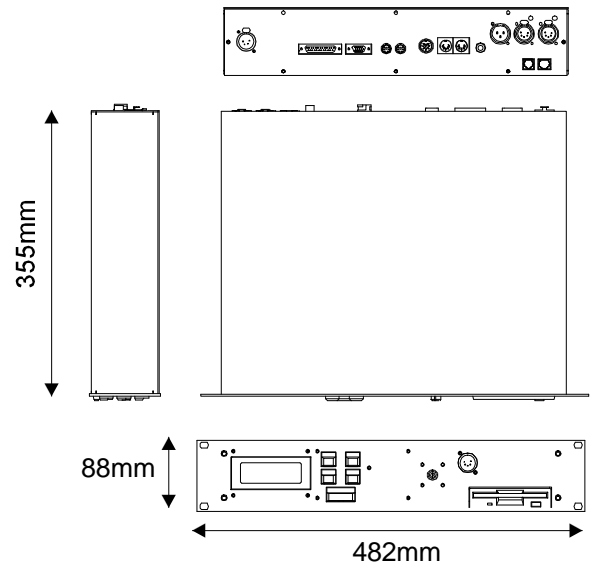
The unit shall provide feedback for all operations via a front panel mounted LCD screen. Additional feedback shall be available via an external monitor. Feedback shall include, but not be limited to : Memory stack information, cuelist timing information, cuelist naming information, setup menus and file operations. Four front panel mounted navigation buttons and a GO/Enter button shall allow all operator functions to be carried out. The unit shall be supplied with a remote control device. The remote controller shall have 5 selection buttons and a Go button. Using the remote controller, it shall be possible to select one of five cuelists and activate it. It shall be possible to manually trigger memories or have them play back automatically under timed control. The unit shall provide onboard menus for all of the major operations including full control of the integral disk drive unit. Shows may be transferred to and from the unit using the disk drive. A front panel mounted keyswitch shall be provided to disable the editing and file handling functions of the unit.

### ELECTRICAL

The unit shall operate from a single phase supply. The unit shall use an external In Line switched mode power supply with CEE22 mains inlet. Connection to the unit shall be made via an XLR4 on the rear panel. Supply voltage range shall be 100 250 VAC, frequency shall be 50 or 60 Hz.

### MECHANICAL

The unit shall be a fully enclosed freestanding unit. The unit shall be designed for 19" rack mounting use, occupying no more than 2 units of rack space. The unit shall be 483 mm wide x 350 mm deep x 88 mm in height. The unit shall be designed in two main parts, a chassis and a cover. The cover shall be securely attached but easily removable for service operations. The unit shall be constructed from 0.9mm gauge steel. All metal surfaces shall be properly treated and finished with specialist paints or powder coat. All operator controls and displays shall be provided on the front panel. The normal operating environment for the dimmer shall be +5°C to +40°C.



Zero 88 Lighting Ltd.

Tel : +44 (0) 1633 838088

Fax : +44 (0) 1633 867880

Email : enquiries@zero88.com

web : www.vari-lite.com

© Zero 88 Lighting Ltd. September 2001 (EU). Issue 1

E&OE. Zero 88 reserves the right to make changes to equipment and prices without prior notice.

