

Lightpack LED

Portable LED Luminaire Controller

LightPack LED controller delivers power and control to any Philips Selecon PL Wash luminaire or Philips Color Kinetics Color Blast wash lights. Smart addressing technology simplifies set up and allows users to quickly address any luminaire regardless of type. Users set an address, select an operating mode and press a button to set up any connected luminaire. Each output is configured to match the luminaire regardless of the number of colors the unit supports and delivers exactly the right number of control channels needed. An intensity channel set up option is also available to make your luminaires even easier to use and program.

Ideal for a wide range of applications from special events to theatres and television studios the LightPack LED controller delivers power and control anywhere you need it.



LightPack Portable LED Luminaire Controller

Features

- Simple, intuitive user interface
- DMX input or local on – off – color select button
- Status indicators
- Two addressable outputs with tool free set up
- Auto luminaire ID
- DMX512 In / Out (Thru)
- Universal operating voltage, 100 to 240 VAC
- 8 or 16 bit operating modes allows users to choose fade resolution by luminaire
- Intensity channel selection can add an intensity channel to any luminaire
- Support for tunable white, RGB and RGBAW luminaires
- Includes wall mount and pipe mount brackets (C clamp sold separately)
- Rugged enclosure with integrated heat sinks for silent fan free operation
- Integrated safety cable
- ETL, cETL listed and CE marked

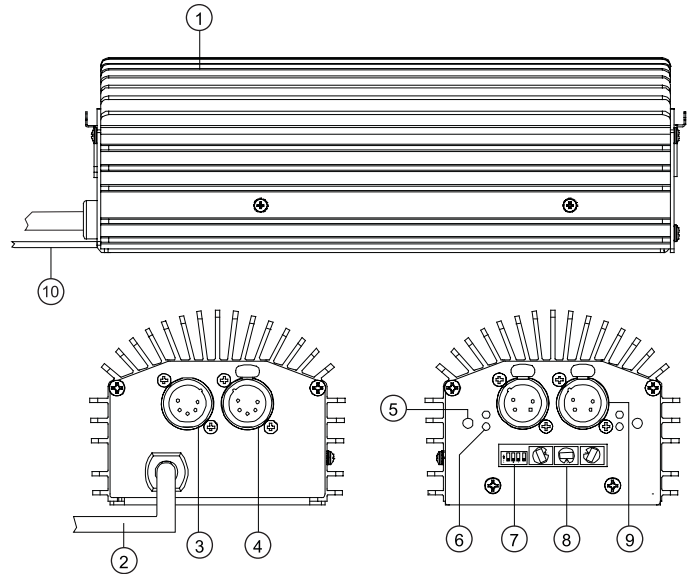


SPECIFICATION SUBMITTAL

CONSULTANT: <input type="text"/>	PROJECT NAME: <input type="text"/>	MODEL NUMBER QUANTITY: <input type="text"/> <input type="text"/> <input type="text"/> <input type="text"/> <input type="text"/> <input type="text"/>
DATE: <input type="text"/>	PROJECT NUMBER: <input type="text"/>	APPROVED BY: <input type="text"/>

LightPack LED Controller Features:

- ① Heatsink
- ② AC Input Cable
- ③ DMX 512 In
- ④ DMX512 Thru/Out
- ⑤ Focus / Bump Button (one for each luminaire port)
- ⑥ Red and Green Status Indicators (one set for each luminaire port)
- ⑦ Mode Settings (one 4-position DIP switch)
- ⑧ DMX512 Address Setting (three rotary DIP switches)
- ⑨ LED Luminaire Control Port (two each, power and data supplied)
- ⑩ Integrated Safety Cable



Technical Specifications

Electrical Data	Mechanical Data
<p>Supply Voltage: 100 to 240VAC (auto-ranging)</p> <p>Frequency: 50 / 60 Hz</p> <p>Output: 24VDC, 55 Watts Per Connector</p> <p>Luminaire Types: Philips Selecon - PL Wash Philips Color Kinetics - Color Blast</p>	<p>Weight: 4.2 lbs (1.9 kg)</p> <p>Dimensions: 3.25 (H) x 4.17 (W) x 9.62 (D) in 82.6 (H) x 105.9 (W) x 244.4 (D) mm</p> <p>DMX512 Connections: DMX512 In / Out (Thru)</p> <p>Output Connections: 2 (power and data on each)</p>
<p>Environmental Data</p> <p>Temperature: 32 to 122°F (0 to 50°C)</p> <p>Humidity Range: 5 to 95% Non-condensing</p> <p>Compliance: ETL, cETL listed and CE marked</p>	

Ordering Information

Cat No. Description

LightPack LED Portable Controller - 120V		LightPack LED Controller Accessories	
71361	LightPack LED Controller, GP connector, 120V	SC	C-Clamp
71362	LightPack LED Controller, GTL connector, 120V	71351	Cheeseboro Clamp
71363	LightPack LED Controller, GR connector, 120V	71346	DMX512 Terminator
LightPack LED Portable Controller - 230V			
71364	LightPack LED Controller, Bare leads, 230V	Notes: Connector Types (GP - Grounded Stage Pin / GTL - Twistlock / GR - Edison)	

www.vari-lite.com

© Philips Group 2013

All rights reserved.

The Company reserves the right to make any variation in design or construction to the equipment described. E&OE