

Philips Selecon Display Profile - LED

****OPERATION MANUAL****

THIS INFORMATION IS DESIGNED TO PROVIDE YOU WITH THE INFORMATION YOU NEED IMMEDIATELY UPON DELIVERY OF YOUR NEW LUMINAIRE.



If you require further assistance please contact your Philips Selecon dealer. www.seleconlight.com/distributors



Philips Selecon has packaged this product using environmentally friendly packaging. Please consider either reuse of the packaging or dispose of responsibly with your nearest recycling collection agency.

IMPORTANT!

Read this manual carefully before attempting to install, operate or maintain the SDP. Follow the instructions in this manual. Philips Selecon accepts no responsibility if the customer fails to do so.

For each customer, operating conditions will vary, sometimes greatly. Such variations may affect the luminaire's performance. Philips Selecon has no control over the customer's unique operating environment. Hence, Philips Selecon makes no representations or warranties concerning the luminaire's performance under the customer's actual operating conditions. All operating parameters must be validated for each customer application by the customer's technical experts.

Safety Warnings



Not for residential use. Maximum ambient temperature 25°C



CAUTION: Hot surfaces - avoid contact by persons or materials. The SDP has some hot surfaces. Be careful to avoid burns. We suggest the use of leather gloves when focusing these luminaires.



SAFETY – Risk of Electric Shock: Always electrically isolate from mains power before re-lamping, cleaning or servicing.



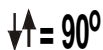
CAUTION: Replace the lenses if they have become visibly damaged to such an extent that their effectiveness has become impaired, for example by cracks or deep scratches.



These fixtures are not suitable for outdoor use. They are rated at IP20.



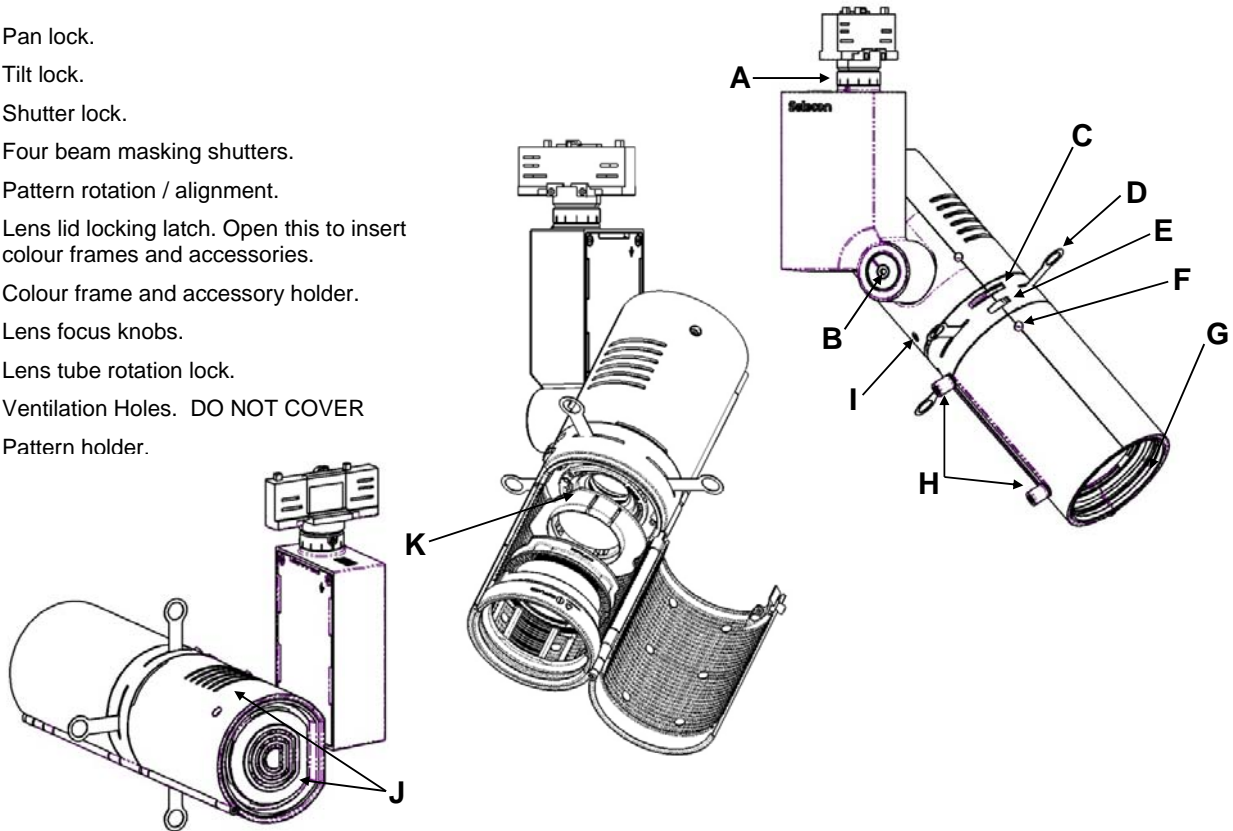
The fixture should be at least 2.6 feet /0.8 metre away from the nearest object it is lighting.



The SDP range can be operated only through a range of angles 90° either side of horizontal.

KEY OPERATING POINTS AND FEATURES

- A: Pan lock.
- B: Tilt lock.
- C: Shutter lock.
- D: Four beam masking shutters.
- E: Pattern rotation / alignment.
- F: Lens lid locking latch. Open this to insert colour frames and accessories.
- G: Colour frame and accessory holder.
- H: Lens focus knobs.
- I: Lens tube rotation lock.
- J: Ventilation Holes. DO NOT COVER
- K: Pattern holder.



LIGHT SOURCE

The Philips Selecon Display Profile LED is supplied complete with LED Light Source.

220-240VAC **Line Frequency 50/60 Hz**

Power consumption: 41W

Life: 50,000 hrs (L70)

Power Factor at 100% : 0.95

Colour Temperature: 2700K /3000K / 4000K

CRI: 95 (Typical)

Supply Current at 220V: 0.12A

DIMMING

Local Dimming Version

SDP LED units with local dimming **CANNOT** be installed and run on a dimmed power supply/track.

If your SDP LED model includes a local dimmer, ensure that the dimming knob on the SDP power supply is at its "Full" position (completely clockwise) to test fitting.

DALI Dimming Version

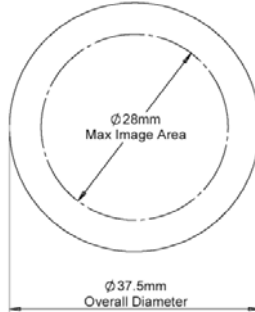
SDP DALI units have no local dimmer.

If your SDP LED model is a DALI version, refer to your DALI operation manual as provided by your DALI supplier.

ACCESSORIES

- Colour frame for plastic filter
- Linear glass diffuser
- Medium diffusion glass
- UV glass filter
- Glass colour filter - primary blue, green, red and yellow
- Glass dichroic colour filter

PATTERN USE



Pattern size: E
Outside diameter: 37.5mm
Image area: 28mm

Tips to achieve the best results:

- Always use black matt finish patterns as these reduce internal light reflections.
- For custom / text logos please ensure the design is inside the 28mm diameter area.

The Philips Selecon Display Profile is supplied with an internal pattern holder. To fit your pattern, remove the internal pattern holder from its magnetic mounting plate. Unclip the locking plate and insert the pattern with correct orientation. Re-clip the locking plate and place the pattern holder back on the magnetic mounting plate. Align using the Gobo Rotation Knob

(E).

Mounting options include track adaptors, ceiling mount plate, and half coupler.

For full details contact your Philips Selecon dealer: www.seleconlight.com/distributors

SAFETY AND MAINTENANCE

Keep your Philips Selecon Display Profile in top condition and performing at its best by cleaning it regularly with a soft cloth.

The above is the only maintenance task that can be safely carried out by non approved personnel.

Philips Selecon has manufactured this luminaire in accordance with recognised best practices to recommended international safety standards. It is your responsibility to maintain this luminaire in good and safe working condition.

Repairs should only be carried out by suitably qualified persons. Do not operate the luminaire with damaged lamps or cable, etc. Consult your Philips Selecon distributor for assistance. Only replace damaged parts with authorised SDP spare parts.

N.B. Luminaire electrical cable – your Philips Selecon Display Profile is fitted with special heat resistant flexible cable, replace with genuine SDP spare part cable kit only – please refer to your Selecon distributor.

(Replacement cable kits are supplied complete with necessary terminal connectors).

ELECTRICAL INSTALLATION

WARNING!!!

Risk of fire and electric shock. This product is to be installed by a qualified electrician only. This luminaire employs a grounded type receptacle and is not intended for connection to a two-wire, ungrounded source of supply.

When installing this luminaire use wire conductor colour codes as follows:

220-240V	Brown	- Phase, Live
	Blue	- Neutral, Return
	Green/Yellow	- Earth

LIMITED WARRANTY

Philips Selecon ("Selecon") warrants all Philips Selecon luminaires against defects in materials or workmanship. The term of this warranty is **three years**; from the date of delivery, and is dependant on the following operating conditions:

FOR ARCHITECTURAL DISPLAY: the SDP luminaire is used as a display light and in conditions typically found in a museum being 10 to 12 hours daily, 7 days per week.

For full details of the Philips Selecon Warranty, please refer to our website: www.seleconlight.com

Australian customers - please refer to the Australia specific warranty card included with this product.