

SL-Bar-520-RGBW

▶ Photometric Data

Light source specifications

Optics: PMMA
 Beam angle: 8 degree
 Light distribution: symmetric direct illumination
 up to 90

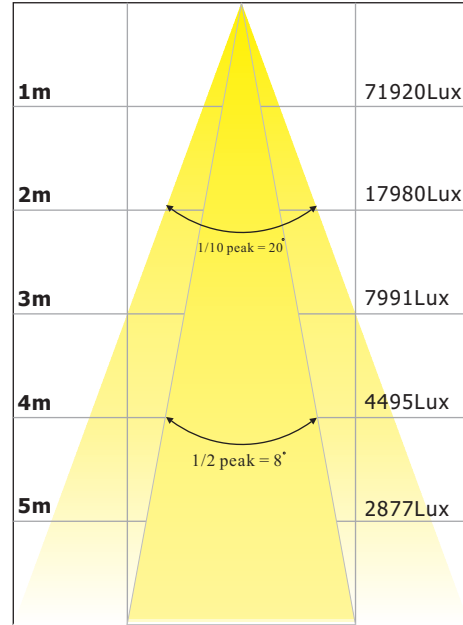
Illuminance

DISTANCE	1m	2m	3m	5m
COLOR	Lux	Lux	Lux	Lux
Red	16411	4103	1823	656
Green	20686	5172	2298	827
Blue	5178	1295	575	207
6500K	37890	9473	4210	1516
RGBW	71920	17980	7991	2877

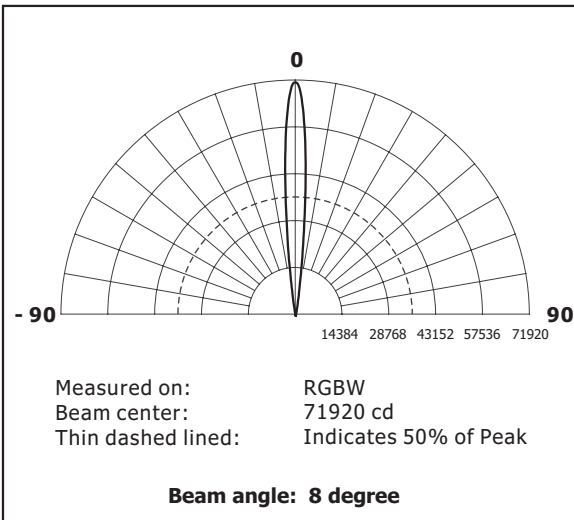
Light output

COLOR	Total (lumens)	Power(watts)	Efficacy(lm/W)
Red	1527.2	61.8	24.7
Green	1978.1	69.9	28.3
Blue	497.1	67.6	7.4
6500K	3445.1	74.8	46.1
RGBW	6415.2	266.7	24.1

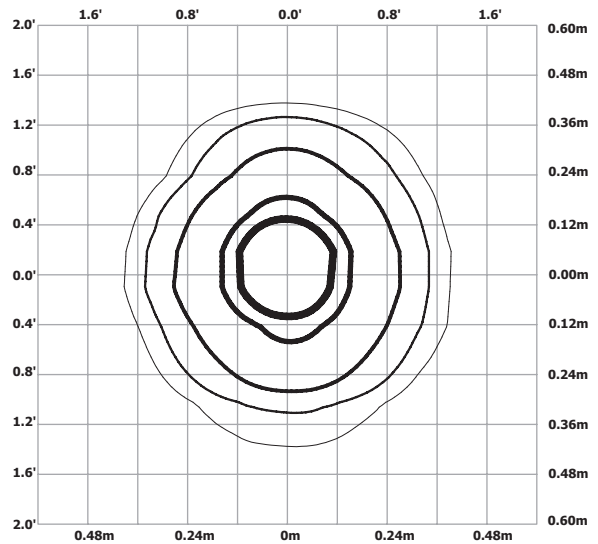
Full intensity in RGBW



Light distribution



Isolux diagram



At 1m distance

- 3% 2145.2 lx
- 5% 3575.3 lx
- 10% 7150.5 lx
- 30% 21451.5 lx
- 50% 35752.6 lx