

# Showline

## SL eSTROBE 130

# PHILIPS



The SL eSTROBE 130 luminaire utilizes 576 cool white LEDs to deliver an exceptional output of 28000 lumens. Separate control of four zones allows unique design flexibility.

Constructed from robust diecast aluminium and consuming only 150W, the SL eSTROBE 130 is an ideal replacement for high current Xenon strobe luminaires. With a beam angle of 120 degrees, and up to two minutes of user selectable "on" duration, the SL eSTROBE 130 offers designers a flexible solution for short throw illumination effects.

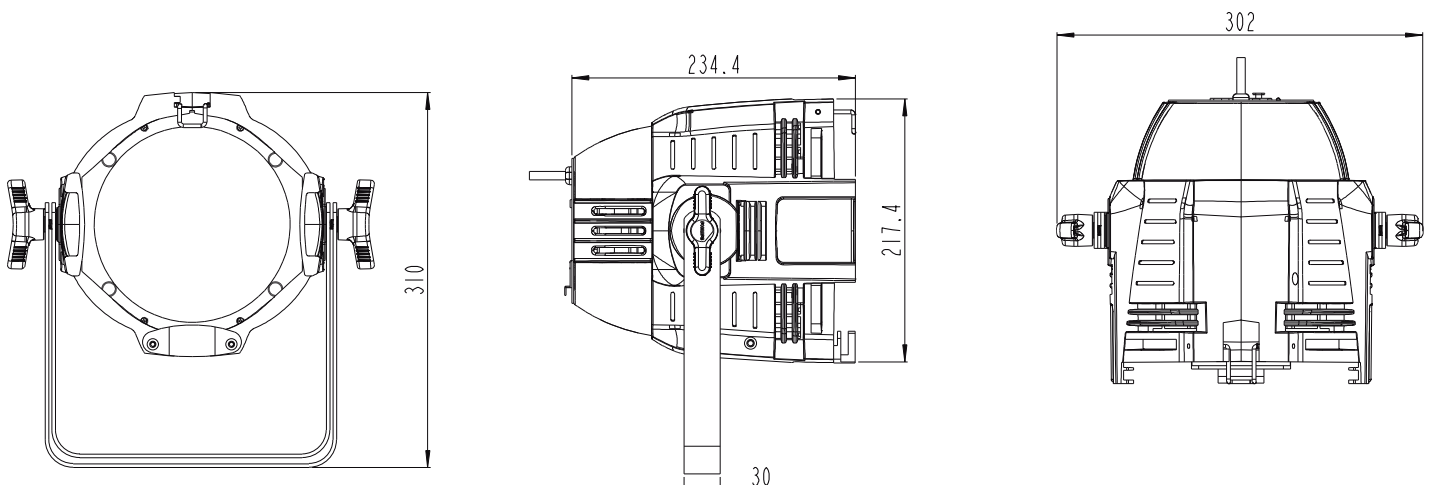
A split yoke bracket permits quick setup in any orientation, and configuration is made easy through use of the simple, LCD menu system. The SL eSTROBE 130 is RDM enabled, allowing for fast commissioning and testing from a remote location.

Whether in use of stages, buildings, clubs, landscapes or other entertainment venues, the SL eStrobe 130 provides designers with a flexible effect luminaire with superior optical quality and uniformity.

### Features :

- Rugged Construction
- 6500K White LED's for an exceptional output of 28000 lumens
- 8 or 16-bit DMX-512A operation for smooth stepless fades
- On-board LCD Menu System for addressing and setup
- Remote configuration available via RDM
- 5-pin DMX-512A(RDM) in and through connections

### Drawing Diagram :



## Technical Specifications :

**Version:**

SL eSTROBE 130, IP20

**Optics:**

120 degree beam angle  
576 of 6500K LEDs

**Controls:**

DMX-512A(RDM)  
Local LCD control  
Master / Slave

**Modes:**

1 Channel  
3 Channels  
4 Channels  
16 bit Control  
Zone Mapping

**Features:**

Chase - Strobe + Duration Effect Engine  
LED & Tungsten Curves selection  
4 dimming curves

**Physical:**

90 - 240VAC, 150W  
235mm x 218mm x 302mm, 5.5Kg  
CE , IP20

**Luminance:**

28000 lumens  
CRI/CQS:  
90



## Ordering Information :

SL eSTROBE130  
88-095-5302-50

SL eSTROBE 130, IP20

*Philips Group 2013. All rights reserved.*

*The Company reserves the right to make any variation in design or construction to the equipment described. E&OE. Philips Entertainment delivers fully integrated lighting solutions; from simple lamps to complete systems designed with the specific needs of the entertainment and specialized display lighting markets.*

[www.vari-lite.com](http://www.vari-lite.com)