

VL3500 Wash FX

l u m i n a i r e

Programmable Functions

| | |
|---------------------------|---|
| Color System: | Six color control wheels total. A three filter CYM cross fading system, two fixed color wheels with five interchangeable color filters each capable of continuous wheel rotation for additional effects, and a variable CTO color temperature correction wheel. |
| Beam Control: | A zoomable beam spreader mechanism provides continuous beam size control for rapid or smooth timed changes. The VARI*BRITE mode, accessible from all zoom positions, splits the beam spreader and produces a tight, intense column of light. Easily interchangeable glass panels (included) allow user to choose either Fresnel or Buxom spreader patterns. Beam may also be controlled through the use of one of three easily interchangeable front lenses: Plano Convex-ULTRA Clear, Plano Convex-Stipple, and Fresnel – all three included. All front lens assemblies have mounting points to allow for attachment of after market accessory hardware. One rotating FX pattern wheel provides four rotatable and indexable positions and one open position. Additional catalog and custom FX Patterns available upon request. |
| Intensity Control: | Full field dimming designed for both smooth timed fades as well as quick dimming effects. |
| Strobe: | High-performance dual blade strobe system independent of dimmer wheel and capable of ultra-fast operation. |
| Pan and Tilt: | Smooth, time-controlled continuous motion by way of three-phase stepper motor systems. |
| Range: | Pan - 540°, Tilt - 270°. |
| Accuracy: | 0.3° resolution. |

Description

| | |
|---------------------------------|--|
| Source: | Triple wattage, double-ended lamp. The lamp is capable of operation at 900W, 1200W or 1650W - mode selectable from fixture or console. |
| Color Temperature: | 6000K at 1650 Watts and 6300K at 900W and 1200 Watts |
| Fixture Output: | >70,000 lumens in 1650 Watt mode. |
| Power Requirements: | Standard AC power distribution from 200– 264 VAC, 50/60 HZ. The unit requires 7 to 12 A depending on the AC supply voltage. |
| Reflector: | Precision glass reflector system with dichroic cold mirror coating. |
| Operational Temperature: | -20° to 104°F (-29° to 40°C). |
| Cooling: | Forced air cooling. |
| Control: | Completely compatible with a wide variety of DMX512 consoles. |
| DMX Channels: | 22 |
| Mounting Position: | The VL3500 Wash FX luminaire can be mounted and operated in any orientation. |
| Spacing: | Hangs on 28 in. (71.2 cm) centers. |
| Weight: | Approximately 97 lbs (44 kg). |

Ordering Information

| | |
|---|--|
| Luminaires: 20.9686.0011 | VL3500 Wash FX Luminaire, Black, Includes 1500W Double-Ended, Short Arc Lamp |
| Accessories: 71.9686.1510 41.6040.XXXX 21.9686.1617 21.9686.0617 21.9686.0619 22.9620.0194 28.8500.0054 55.6840.0001 55.6841.0001 PC1BE PC1GTL208 | 1500W Double-Ended, Short Arc Lamp Catalog and Custom Patterns ULTRA Clear Front Lens Stipple Front Lens Fresnel Front Lens Safety Cable Assembly USB Luminaire Programming Kit Truss Hook, Mega-Clamp (For round and square pipe) Truss Hook, Mega-Claw (For 2" round pipe) AC Input Cable, PowerCon with Bare End (no connector), 1 Meter AC Input Cable, PowerCon with Twist Lock (Male), 250V, 1 Meter |



The VL3500 Wash FX luminaire is the newest member of the VARI*BRITE Series 3000 family of luminaires. With an output that exceeds 70,000 lumens, as well as varied new options for color and beam control, this fixture will soon be the standard by which all wash lights are measured.

The VL3500 Wash FX luminaire features internal zoomable beam optics with either Fresnel or Buxom options, an interchangeable front lens system, and a four position plus open rotating FX pattern wheel. The fixture provides CYM color mixing, variable CTO color temperature correction, dual five-position color wheels, a separate dimmer, and an independent dual blade strobe mechanism.

In conjunction with its zoomable optics system, Vari-Lite introduces the VARI*BRITE mode. From almost any zoom position, this mode can be engaged to offer a tight column of remarkably intense light making the VL3500 Wash FX the most versatile wash luminaire on the market.

The VL3500 Wash FX allows users to operate its single lamp at three different wattages via either a control channel setting or a lamp menu option. With only a setting change from the control console or at the fixture, the luminaire will run the short arc lamp at 900W, 1200W or 1650W without any detrimental effects on the lamp.

An upper enclosure houses the control electronics as well as an arc power supply for the unit's short arc lamp. The arc power supply is power factor corrected for efficient power distribution and reliability.

The VL3500 Wash FX is similar in size to our other Series 3000 luminaires, which provides a consistent hang configuration and appearance no matter which luminaire type is utilized.



PHILIPS
VARI*BRITE

VL3500 Wash FX

l u m i n a i r e

Specifications

The unit is an integrally designed, remote-controlled, motorized wash luminaire. The head, yoke and enclosure housings are constructed of aluminum alloy for light weight, strength and durability. Low-noise fans provide forced-air cooling for internal components. The rear cap is hinged, providing easy access to the lamp for replacement.

A single AC input PowerCon connection along with two, five-pin DMX512 compatible connectors (in and through) are provided. The unit can be controlled from a wide variety of DMX512 consoles.

Each unit is equipped with an on-board processor providing diagnostic and self-calibration functions as well as internal test routines and software update capabilities.

The unit contains two independent three-phase stepper motors to provide movement of the head through 540° in the horizontal plane (pan) and 270° in the vertical plane (tilt). The pan and tilt mechanisms are belt-driven, providing positional resolution and repeatability of 0.3° on either axis.

A zoomable beam spreader mechanism provides continuous beam size control for rapid changes and smooth timed zoom changes. Users may install either of two sets of included interchangeable internal lenses that provide a zoom range of 2.7:1 with the fresnel internal lens and of 4:1 with the buxom internal lens.

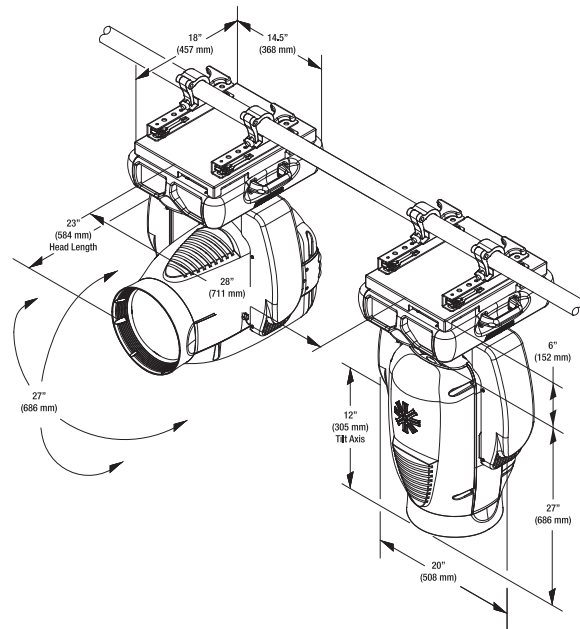
Beam shall also be controlled with one of three interchangeable front lenses – all of which shall be provided as standard equipment. Each front lens comes with mounting points to allow attachment of after market hardware – provided by others. Additional beam manipulation shall be achieved by an FX pattern wheel with four fully rotational and indexable positions plus open. FX patterns may be easily changed out by user.

The unit contains a CYM color mixing system, as well as variable CTO color temperature correction. Two color wheels capable of continuously spinning are also included. Each of the two wheels holds five interchangeable dichroic colors to allow for custom configurations. The unit comes equipped with a standard palette of dichroic color filters.

The unit contains a patterned glass dimmer wheel that provides full field dimming and allows for smooth timed fades and fast blackouts. A dual blade strobe and dousing system provides variable strobe effects capable of rapid operation.

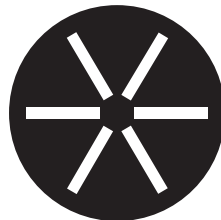
The unit shall be ETL and ETLc certified and CE-marked. Exterior finish is black.

Hanging Dimensions



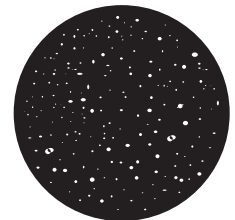
Included FX Patterns

The unit ships with four (4) FX patterns in the luminaire. The pattern size shall be 50.8 mm and the image size shall be 44 mm. Additional FX catalog and custom patterns are available for purchase.



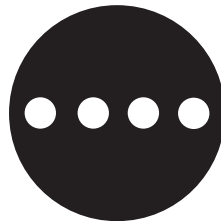
Spokes

Part Number: **41.6040.4326**
Position 1 in fixture.



Night Sky

Part Number: **41.6040.5011**
Position 2 in fixture.



4-Hole Ray

Part Number: **41.6040.4002**
Position 3 in fixture.



Medium Triangle

Part Number: **41.6040.4009**
Position 4 in fixture.

PHILIPS
VARI*Lite

©2015 Philips Group. All rights reserved. Printed in the U.S.A. We reserve the right to change details of design, materials and finishes. Specifications are subject to change without notice. VARI*Lite automated lighting equipment is made in the U.S.A.



Vari-Lite
10911 Petal Street
Dallas, TX 75238
1.877.VARILITE
fax: 214.647.8038
www.vari-lite.com



VL3500_Wash_FX - 110115NA