

# Selecon

## ACCLAIM AXIAL ZOOMSPOT MKII



The latest in compact filament lamps is combined with the efficiency of axial reflector systems and Selecon's custom optical design to produce an ellipsoidal fixture with precise beam control necessary for front stage lighting from auditorium positions.

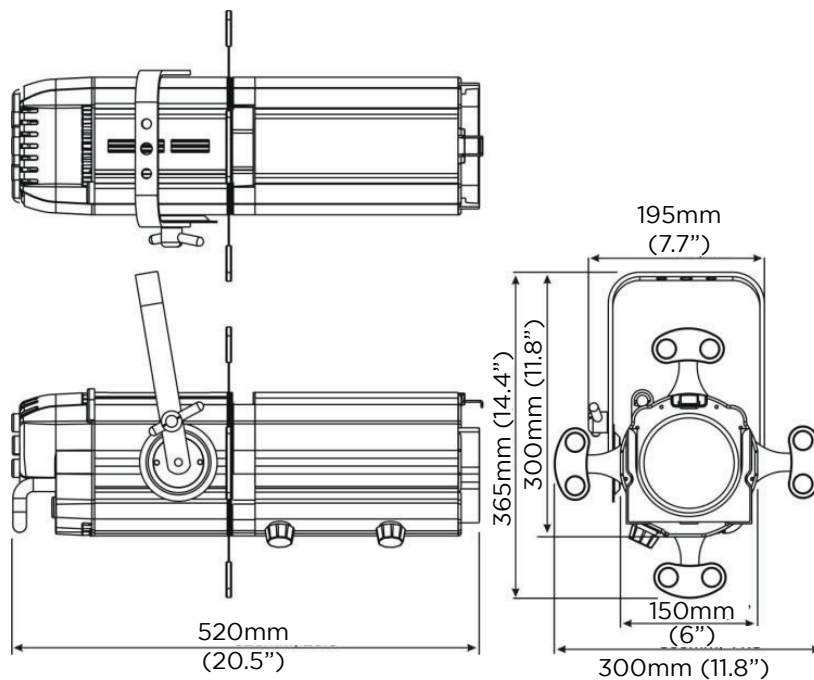
The high quality beam is equally useful for gobo projection. The Acclaim Axial offers efficiency, strength and performance with a choice of two adjustable beam angle ranges.

# Selecon

## ACCLAIM AXIAL ZOOMSPOT MKII

### FEATURES

- Available in 18° - 34° or 24° - 44° beam angles.
- Interchangeable lens tray between Medium and Wide versions, no tools required.
- Hot mirror technology reduces the heat in the beam to protect gobos and color filters.
- Adjustable beam Peak-Flat setting using central planetary gear.
- Slot provided for Iris or rotatable (35°) gobo holder.
- Cranked yoke with adjustable balance point.
- Heat is managed out of the fixture through a combination of controlled infra red reflections; heat sinks and engineered air flow. Heat sensitive components such as the lamp socket and cabling are protected minimizing maintenance costs.
- Permanently attached safety cable ensures that this important safety requirement is always on hand.
- Integral micro-switch provides automatic disconnection of power to the fixture when opening to relamp, preventing a student or technician inserting a lamp into an electrically live fixture.



# Selecon

## ACCLAIM AXIAL ZOOMSPOT MKII

	120V		230V	
<b>SOURCE</b>				
<b>Type</b>	GLC	GLA	GKV	GLB
<b>Wattage</b>	575W	575Q	600W	600W
<b>Average life (hrs)</b>	400	1500	400	1500
<b>OPTICAL PERFORMANCE</b>				
<b>Output lumens</b>	15,000	13,500	15,000	13,000
<b>BEAM</b>				
<b>Beam angle</b>	18°-34° or 24°-44°			
<b>POWER</b>				
<b>Operating voltage</b>	100-240VAC			
<b>Max wattage</b>	575W		600W	
<b>IMAGING</b>				
<b>Gobo type</b>	M			
<b>Gobo holder width</b>	95.25mm / 3.75 in			
<b>PHYSICALS</b>				
<b>IP Rating</b>	IP20			
<b>Finish</b>	Black			
<b>Construction</b>	Machined aluminum, sheet metal, and molded engineering grade plastic components			
<b>ENVIRONMENT</b>				
	<b>°C</b>	<b>°F</b>	<b>°C</b>	<b>°F</b>
<b>Ambient temperature</b>	0-40	32-104	0-40	32-104
<b>DIMENSIONS</b>				
	<b>mm</b>	<b>in</b>	<b>mm</b>	<b>in</b>
<b>H x W x L</b>	356 x 300 x 520	14.4 x 11.8 x 20.5	356 x 300 x 520	11.8 x 14.4 x 20.5
<b>WEIGHT</b>				
	<b>kg</b>	<b>lb</b>	<b>kg</b>	<b>lb</b>
<b>Net weight</b>	5.7	12.5	5.7	12.5
<b>WARRANTY &amp; APPROBATIONS</b>				
<b>Warranty</b>	2 years			
<b>Approvals / Listings</b>	ETL / cETL listed to UL 1573			

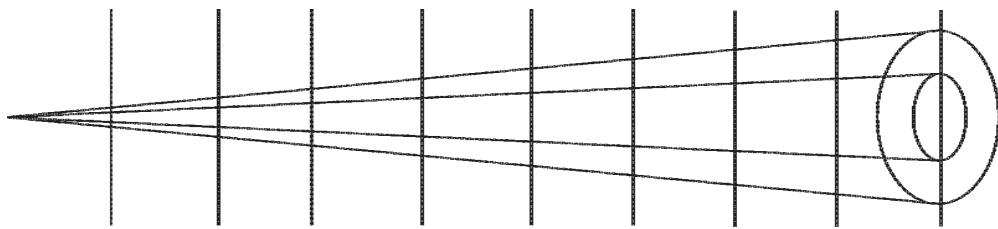
# Selecon

## ACCLAIM AXIAL ZOOMSPOT MKII

### PHOTOMETRIC DATA - 120V

#### BEAM DIAMETER (ft)

<b>18°</b>	0	2.2	4.1	6.7	8.9	11.1	13.3	15.5	17.7
<b>34°</b>	0	4.3	7.9	12.8	17.1	21.4	25.7	30.0	34.2
<b>24°</b>	0	3.0	5.5	8.9	11.9	14.9	17.9	20.8	23.8
<b>44°</b>	0	5.7	10.5	17.0	22.6	28.3	33.9	39.6	45.3



Throw distance (ft) 0 7 13 21 28 35 42 49 56

#### LIGHT OUTPUT (footcandles\*)

<b>18°</b>	<b>peak</b>	2694	781	299	168	108	75	55	42
	<b>flat</b>	1835	532	204	115	73	51	37	29
<b>34°</b>	<b>peak</b>	1707	495	190	107	68	47	35	27
	<b>flat</b>	848	246	94	53	34	24	17	13
<b>24°</b>	<b>peak</b>	1994	578	222	125	80	55	41	31
	<b>flat</b>	897	260	100	56	36	25	18	14
<b>44°</b>	<b>peak</b>	938	272	104	59	38	26	19	15
	<b>flat</b>	500	145	56	31	20	14	10	8

\*for lux, multiply footcandles by 10.7

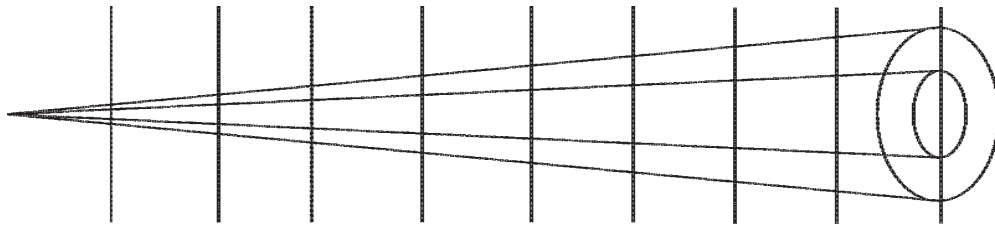
# Selecon

## ACCLAIM AXIAL ZOOMSPOT MKII

### PHOTOMETRIC DATA - 230V

#### BEAM DIAMETER (m)

<b>18°</b>	0	0.63	1.27	1.90	2.53	3.17	3.80	4.43	5.07
<b>34°</b>	0	1.22	2.45	3.67	4.89	6.11	7.34	8.56	9.78
<b>24°</b>	0	0.85	1.70	2.55	3.40	4.25	5.10	5.95	6.80
<b>44°</b>	0	1.62	3.23	4.85	6.46	8.08	9.70	11.31	12.93



Throw distance (m) 0 2 4 6 8 10 12 14 16

#### LIGHT OUTPUT (lux)

<b>18°</b>	<b>peak</b>	27124	6781	3014	1695	1085	753	554	424
	<b>flat</b>	16452	4113	1828	1028	658	457	336	257
<b>24°</b>	<b>peak</b>	16252	4063	1806	1016	650	451	332	254
	<b>flat</b>	9124	2281	1014	570	365	253	186	143
<b>34°</b>	<b>peak</b>	23752	5938	2639	1485	950	660	485	371
	<b>flat</b>	8752	2188	972	547	350	243	179	137
<b>44°</b>	<b>peak</b>	12500	3125	1389	781	500	347	255	195
	<b>flat</b>	6252	1563	695	391	250	174	128	98

# Selecon

## ACCLAIM AXIAL ZOOMSPOT MKII

PRODUCT NAME	ORDER CODE
Acclaim Axial 18°-34° Zoomspot	<b>12ACX1834</b>
Acclaim Axial 24°-44° Zoomspot	<b>12ACX2444</b>
ACCESSORIES - LENS TRAYS	
Acclaim Axial 18°-34° lens tray	<b>15ACAX1834LT</b>
Acclaim Axial 24°-44° lens tray	<b>15ACAX2444LT</b>
ACCESSORIES	
Acclaim iris	<b>15ACIRIS</b>
Lens safety mesh	<b>15ACSM</b>
Steel gobo holder M size	<b>15ACGH</b>
Glass gobo holder M size	<b>15ACGHGL</b>
Donut	<b>ACCDONUT</b>
Spare color frame	<b>20CFMF</b>
Spare US theatrical C-clamp	<b>SC</b>

For connector options please specify the following suffixes when ordering:

- GR NEMA 5-15P Grounded Edison
- GP 20A Stage Pin Plug
- GTL NEMA L5-20P Twist-Lock

© 2018 Signify Holding. All rights reserved.

All trademarks are owned by Signify Holding or their respective owners. The information provided herein is subject to change, without notice. Signify does not give any representation or warranty as to the accuracy or completeness of the information included herein and shall not be liable for any action in reliance thereon. The information presented in this document is not intended as any commercial offer and does not form part of any quotation or contract, unless otherwise agreed by Signify. Data subject to change.

Ref: 12ACX1834-100-00