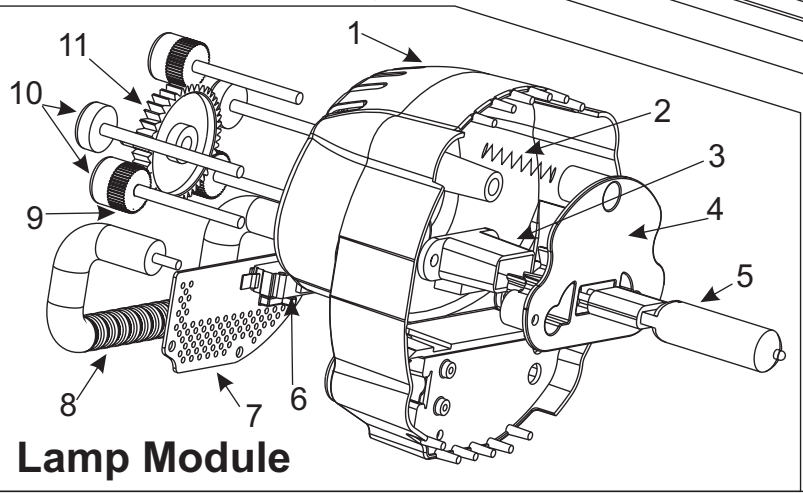


#	Code	Description
1	ACCAS004	Acclaim Axial rear casting
2	PACSPR003	Acclaim Axial lamp spring
3	PACELE001	Lamp base TP-22
4	ACCAS006	Acclaim Axial lampbase heat-sink
5		Lamp GKV 600 or equivalent
6	COMELE001	Micro-sw itch
7	ACCPLA005	Acclaim electric area cover
8	ACCPLA006	Acclaim Axial rear handle
9	PACPLA026	Planetary gear
10	PACPLA027	Planetary thumb-screw
11	PACPLA025	Spur gear
12	ACCASO05	Acclaim Axial back plate casting
13	ACCREF005	Acclaim Axial reflector
14	ACCEXT002	Acclaim Axial top extrusion
		A = top rear, B = top front
15	ACCLEN008	Acclaim Axial hot mirror
16	ACCSHT016	Mirror holding plate
17	ACCYOK004	Acclaim Axial Yoke
18	ACCEXT009	Heat-sink extrusion
19	ACCSHT007	Lamphouse front plate
20	ACCPLA009	Acclaim Axial shutter
21	ACCSHT010	Shutter plate rear
22	ACCSHT009	Shutter plate centre
23	ACCSHT008	Shutter plate front
24	ACCAS003	Acclaim zoomspot centre casting
25	ACCEXT007	Acclaim door clip
26	ACCLEN010/006	Acclaim Axial rear lens
		010 = 18~34, 006 = 24~44
27	ACCPLA007	Acclaim Axial rear lens holder
28	ACCLEN009/007	Acclaim Axial front lens
		009 = 18~34, 007 = 24~44
29	ACCPLA008	Acclaim Axial front lens holder
30	ACCSPR010	Acclaim colour frame clip
31	ACCAS002	Acclaim front casting
32	ACCSHT012	Acclaim colour frame
33	ACCSHT017	Acclaim Axial rear bottom baffle
34	COMPLA001	Acclaim Focus knobs
35	ACCEXT004	Acclaim Axial bottom extrusions
		A = bottom rear, B = bottom front
36	ACCEXT003	Acclaim Axial Side extrusions
		A = side rear, B = side front
37	ACCMET011	Acclaim Axial shutter locking pins
38	ACCPLA001	Acclaim yoke locking knob
39	ACCLOOM011	Acclaim Axial electrical loom
40	ACCAS007	Acclaim yoke locking disc bar
41	PACMET002	Yoke Locking disc
42	1200MET012	Yoke spacer
43	ACCSPR002	Acclaim door clip spring
44	ACCSPR009	Shutter tensioning spring



Wiring Diagram

