



Betapack 4

Portable Lighting Control Power Distribution & Dimmer

KEY FEATURES

- 6 Dimming Channels
- 10 Amps per channel
- MCB protection
- Isolated DMX input
- Patchable per channel
- Preheat, Topset and Dimmer Law selectable per channel
- 12 backup memories
- 3 x 99-step sequences with adjustable times
- Automatic DMX termination when loop-through plug is removed
- RDM Enabled
- Auto frequency tracking
- Lock and Reset functions
- Temperature monitoring
- Convection cooled
- DMX addressing via front panel or RDM
- DMX Status indication
- 19" Rack Mount and Wall Mounting options (brackets included)
- Optional Easicarry handle for portable use (included)
- CE compliant to all relevant standards
- Designed and manufactured to ISO9001:2015 standards



OVERVIEW

Betapack has served the industry for 30 years with legendary reliability, robustness, versatility and value for money.

Betapack 4 builds on this heritage by distributing both dimming and "hot power" to a mixed rig of both tungsten and LED fixtures in a single, affordable device. Betapack 4 continues to serve the most modern applications in lighting rental, installation and portable situations for many thousands of venues worldwide.

Betapack 4 includes variants with sockets to match most global standards, and is supplied with MCBs on every channel. The versatility of the Betapack 4 means it can be 19" rack mounted or installed on a wall using the brackets supplied, or made portable by using the included Easicarry kit consisting of a handle and four feet.

Its legendary reliability and durability make it the dimmer of choice for many thousands of venues worldwide.

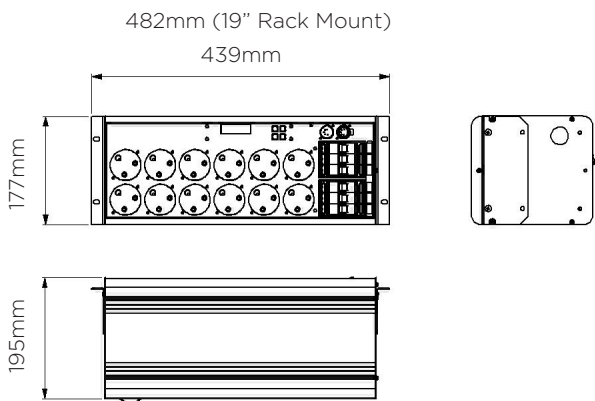
ORDERING INFORMATION

0011-000023-00	Betapack 4 UK 15A
0011-000024-00	Betapack 4 Schuko
0011-000025-00	Betapack 4 Swiss
0011-000026-00	Betapack 4 CEE17 & UK 15A
0011-000027-00	Betapack 4 CEE17
0011-000028-00	Betapack 4 PowerCON TRUE1 TOP

SUPPLIED ACCESSORIES

Single Phase linking bar
Installation / Operating Instructions
2 x Wall / Rack mounting Brackets (fitted)
Easicarry Kit

DIMENSIONS:



Weight: 8.0kg

SPECIFICATIONS

WHOLE UNIT:

- Number of channels: 6
- Channel capacity: 0.1A min / 10A max
- Total dimmer capacity: 60A
- Supply Voltage:
Single Phase (2 wire) 230V
Three Phase Star (4 wire) 250/444V
Three Phase Delta (3 wire) 230/115V
- Supply frequency: 50-60Hz auto tracking
- Channel outlet options:
12 x UK 15A Sockets (6 x dimmed, 6 x hot power)
12 x 16A CEE17 Sockets (6 x dimmed, 6 x hot power)
6 x UK 15A (dimmed) & 6 x 16A CEE17 (hot power) Sockets
12 x Neutrik PowerCON TRUE1 TOP (6 x dimmed, 6 x hot power)
12 x 16A Schuko Sockets (6 x dimmed, 6 x hot power)
12 x 10A Swiss Sockets (6 x dimmed, 6 x hot power).
- Channel protection: 10A, type C, single pole (thermal magnetic circuit breaker). (Schuko has neutral disconnect per channel). Breaking capacity to 6000A
- Cooling: Convection via rear mounted heatsink with electronic temperature monitoring and progressive overheat shutdown
- Operating Temperature: +5°C to +40°C
- Humidity: 5% to 95% Non condensing

DIMMED SOCKETS ONLY:

- Dimmer duty cycle: 100%
- Rise time: 80 μ S
- Control input: DMX via 5 Pin XLR mixed male with loop through connector with automatic termination, accepts USITT DMX512-A (isolated). Patch set via control interface
- RDM Enabled
- Dimmer Laws: 3 dimmer laws (Normal, Linear, Switch)
- Patching: Full DMX patch and block address
- Memories: 12 static
- Sequences: 3 x 99 step programmable
- User Interface: 7 segment display with 4 navigation keys
- DMX fail mode: DMX Hold, Fade to Black, Fade to Memory or Fade to Sequence
- Programmable channel attributes: Preheat per channel (5%), Topset, Dimmer Laws

CONTACT US

+44 (0)1633 838088

www.vari-lite.com

©2018-2021 Signify Holding.
All Rights Reserved.

Betapack_4_DataSheet_UK_rev8_0921

Changes to the products, to the information contained in this document, and to prices are reserved; so are errors and omissions.

Zero 88 is a registered trademark.

All other trademarks are property of their respective owners.



FM 727924