

# C21 & EC21 Dimming Racks Sound Suppression Device Install Guide



## CAUTION!

Before attempting any electrical work, disconnect power at circuit breaker or remove fuse to avoid electrical shock or damage to the equipment. It is recommended that a qualified technician perform this installation.

## C21 & EC21 Dimming Racks Sound Suppression Device Installation Instructions

### Supplied Items:

Qty.	Description
1 EA	Sound Suppression Device (75520)
4 EA	Mounting Screws
4 EA	Mounting Nuts
8 EA	Mounting Washers
1 EA	Foam Block

Note: Read these instructions completely before attempting any work. If any items are missing, please contact Strand Lighting Technical Support at 1.214.647.7880 or 1.800.4.STRAND.

### Required Hand Tools (not supplied by Philips Strand Lighting):

- #2 Phillips Head Screwdriver
- 5/16" Nut driver or Wrench

### To install sound suppression device on outside of the dimmer rack door:

**Step 1.** At exterior side of dimmer rack door, as shown in **Figure 1**, locate four mounting holes in dimmer rack door to mount sound suppression device.

**Step 2.** Using supplied screws, washers, and nuts secure sound suppression device to dimmer rack door as illustrated in **Figure 1**. Before tightening, be sure to install all four mounting screws, washers, and nuts first.

**NOTE:** As shown in **Figure 1a**, on 24-module dimming racks, the sound suppression device is mounted slightly higher on the door.

**Step 3.** After installing all four mounting screws, washers and nuts position sound suppression device as shown.

**Step 4.** Hand tighten each top screw and then each bottom screw on each side of the device. **DO NOT OVER TIGHTEN SCREWS!**

- Continued on reverse side -

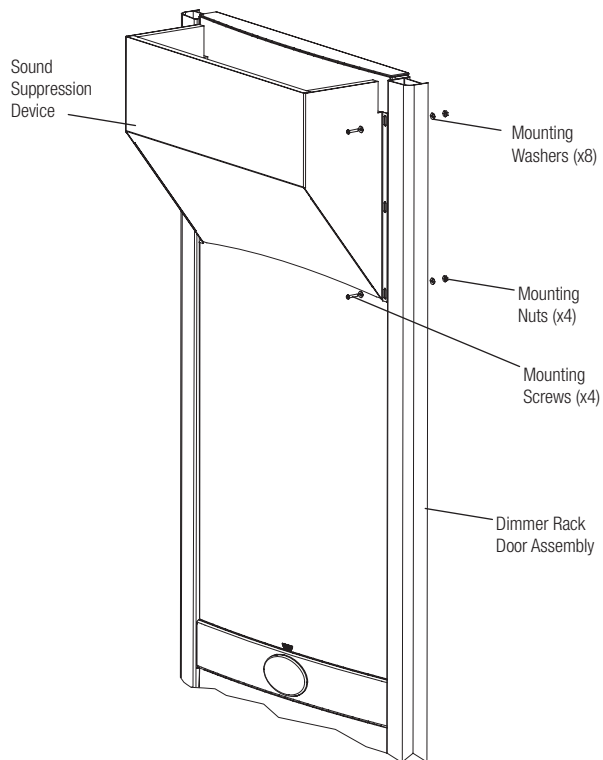


Figure 1: Sound Suppression Device Install (48-module dimming rack)

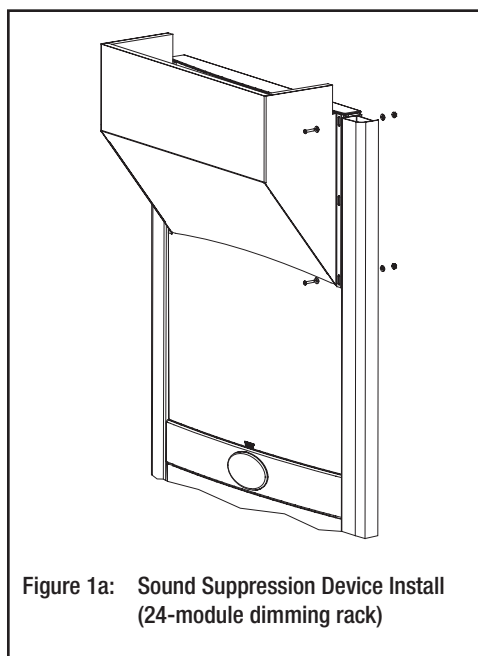


Figure 1a: Sound Suppression Device Install (24-module dimming rack)

# C21 & EC21 Dimming Racks Sound Suppression Device Install Guide

---

## C21 & EC21 Dimming Racks Sound Suppression Device Installation Instructions (continued)

- Step 5.** Remove protective backing from foam block.
- Step 6.** At inside of door, position foam block as shown in **Figure 2**. Block should be positioned in line with the lower portion of the sound suppression device.
- Step 7.** Firmly press foam block on to door.

Note: For complete installation details and instruction for this product, consult the Strand Lighting C21 or EC21 Installation Manuals.

### Need help?

For technical assistance regarding this and all Strand Lighting products, please contact us at 1.214.647.7880 or 1.800.4.STRAND.

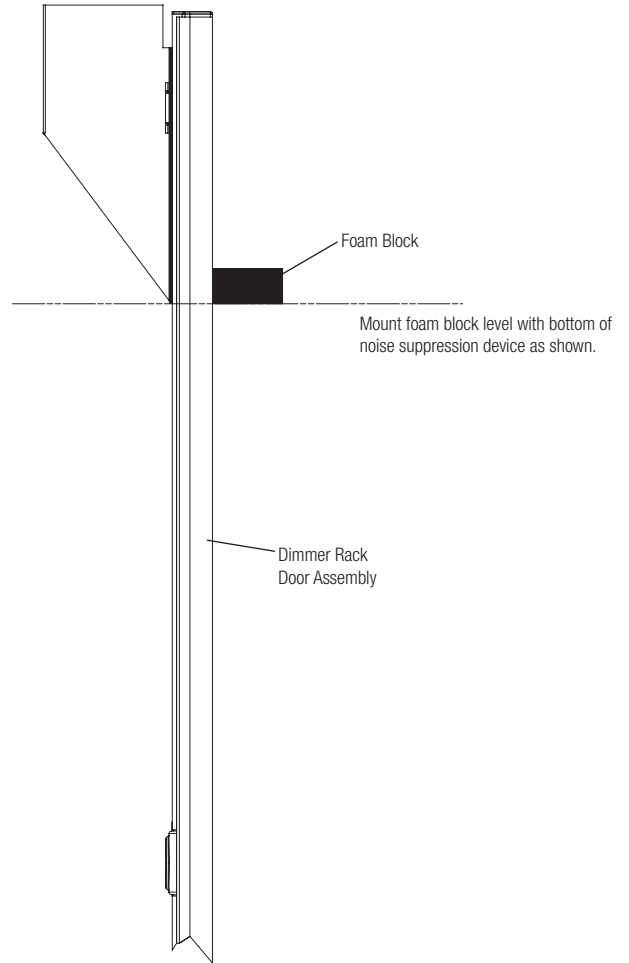


Figure 2 - Foam Block Install