



GATEWAY 8

8 Universe Ethernet to DMX / RDM

KEY FEATURES

- 10/100BaseT Ethernet input
- 8 electrically protected outputs
- Neutrik connectors
- sACN, Art-Net 4, LLRP, DMX & RDM compatible
- DHCP or static IP
- Optional configuration from ZerOS consoles
- Configuration via Web Browser
- IEC power connector
- 3 year warranty
- CE compliant to all relevant standards
- Designed and manufactured to ISO9001:2015 standards



OVERVIEW

Gateway 8 provides flexible DMX / RDM data distribution in a slim (1RU) 19" format, converting eight universes of Ethernet (sACN or Art-Net) into DMX512/RDM.

Gateway 8 is fully compatible with the latest protocols (sACN, Art-Net 4, LLRP, DMX & RDM), ensuring your distribution network is ready to meet your future demands. Gateway 8 is appropriate for permanent installations or as a flexible, adaptable rental & touring tool.

When combined with any ZerOS console, Gateway 8 provides on-board configuration from the console, for a truly integrated system. Alternatively, the unit can be configured through an internal web server or via optional control software. DHCP enables automatic IP addressing; static IP and LLRP negotiation are also supported.

The input is an EtherCON / RJ45 connector. The eight outputs are protected against electrical faults. All connectors are Neutrik parts.

Gateway 8 is ideal for use alongside Splitter 8 and Gateway 4 to build a larger data distribution system.

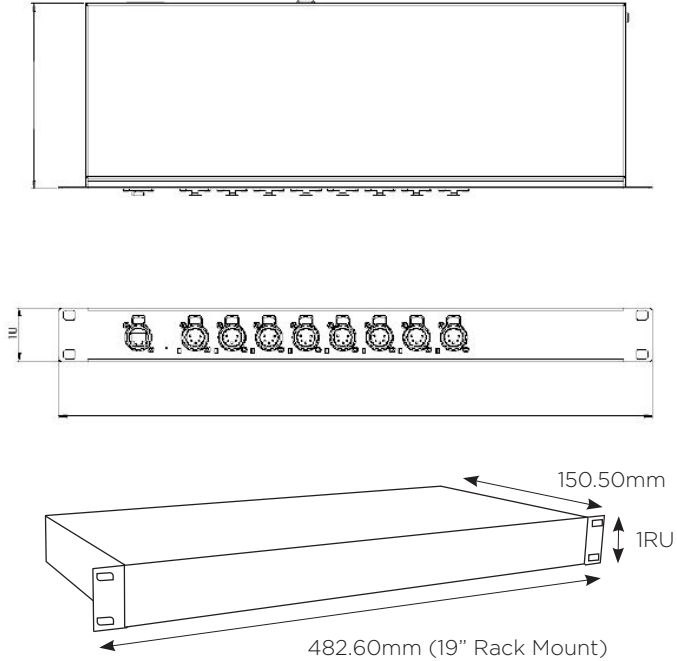
ORDERING INFORMATION

0050-000077-00	Gateway 8 UK
0050-000078-00	Gateway 8 Schuko/French
0050-000079-00	Gateway 8 US

SUPPLIED ACCESSORIES

IEC Mains Lead

DIMENSIONS:



Weight: 2.4kg

SPECIFICATIONS

- 19" 1U Rack metal Enclosure
- Desktop or 19" Rack Mounting
- Supply Voltage: 100 - 230 VAC
- Input Power (max): 30W
- Duty Cycle: 100% @ 25°C
- Mains Fuse: Internal 3.15A Slow Blow
- DC Fuse: Internal resettable fuse for control electronics
- Operating Temperature: 0°C to 40°C
- Storage Temperature: -10°C to +50°C
- Operating Relative Humidity (max): 80% Non Condensing
- IP Rating: IP20 Indoor Use Only
- Certification: CE, WEEE, RoHS
- Internal Web-Browser or ZerOS console
- Manual factory reset / Squawk button
- DHCP or Static IP or LLRP negotiation
- LEDs for Data Activity
- Ethernet Connector: (1) RJ45 (Ethercon) supports 10/100BaseT
- DMX Connector (8) 5-pin female XLR
- Input Protocols:
 - sACN
 - Art-Net 4
- Output Protocols:
 - DMX512
 - DMX512 (1990)
 - DMX512-A
 - RDM V1.0 (E1.20 - 2010 ESTA Standard)
- 3 year warranty
- Made in the United Kingdom

CONTACT US

+44 (0)1633 838088

www.vari-lite.com

©2018-2021 Signify Holding.
All Rights Reserved.

Gateway_8_Datasheet_UK_Rev3_0921

Changes to the products, to the information contained in this document, and to prices are reserved; so are errors and omissions.

Zero 88 is a registered trademark.

All other trademarks are property of their respective owners.



FM 727924