

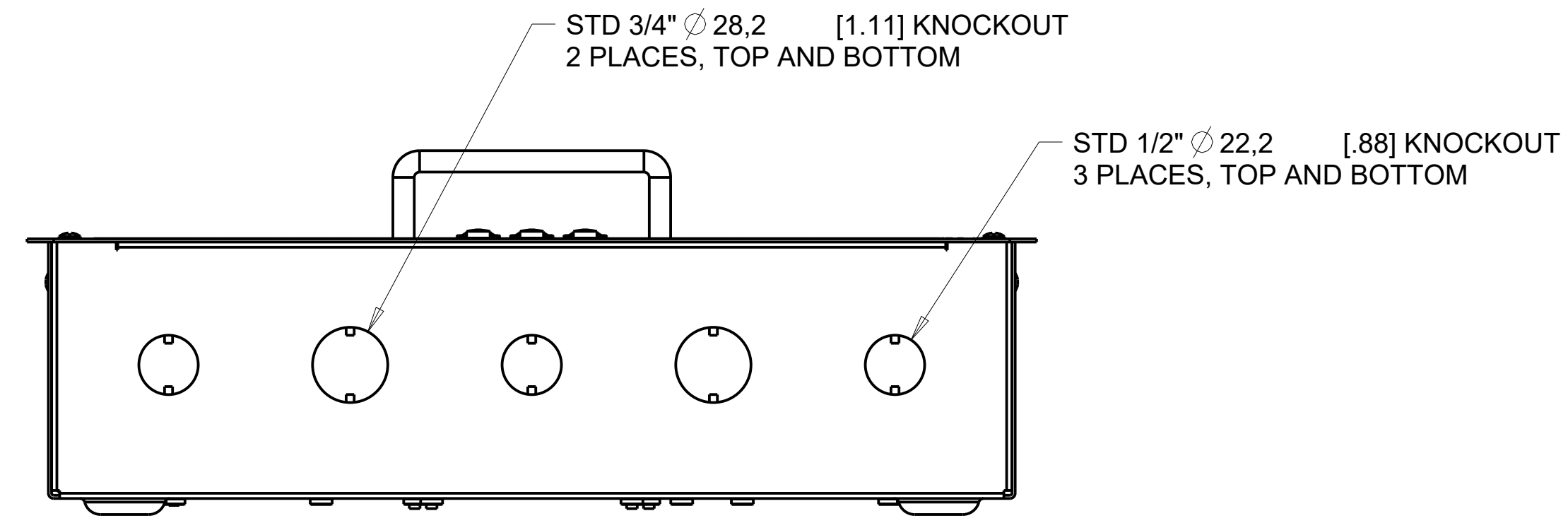
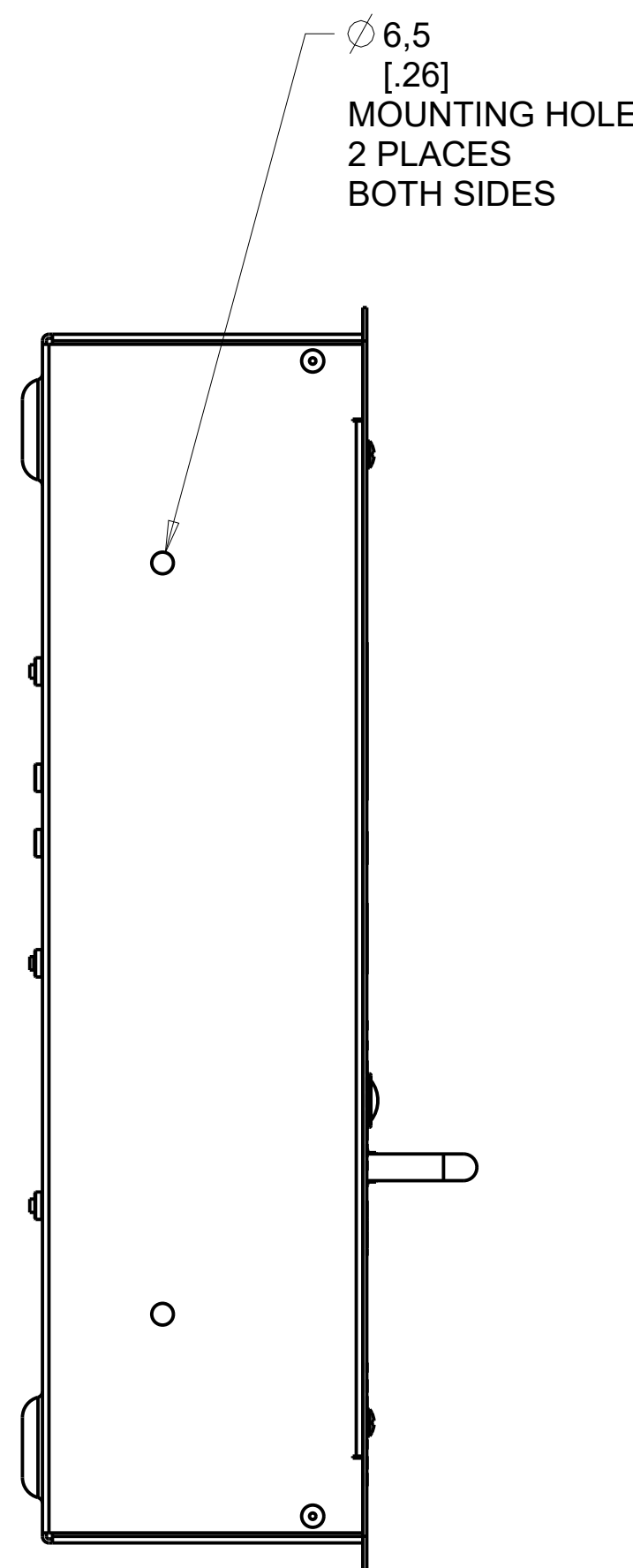
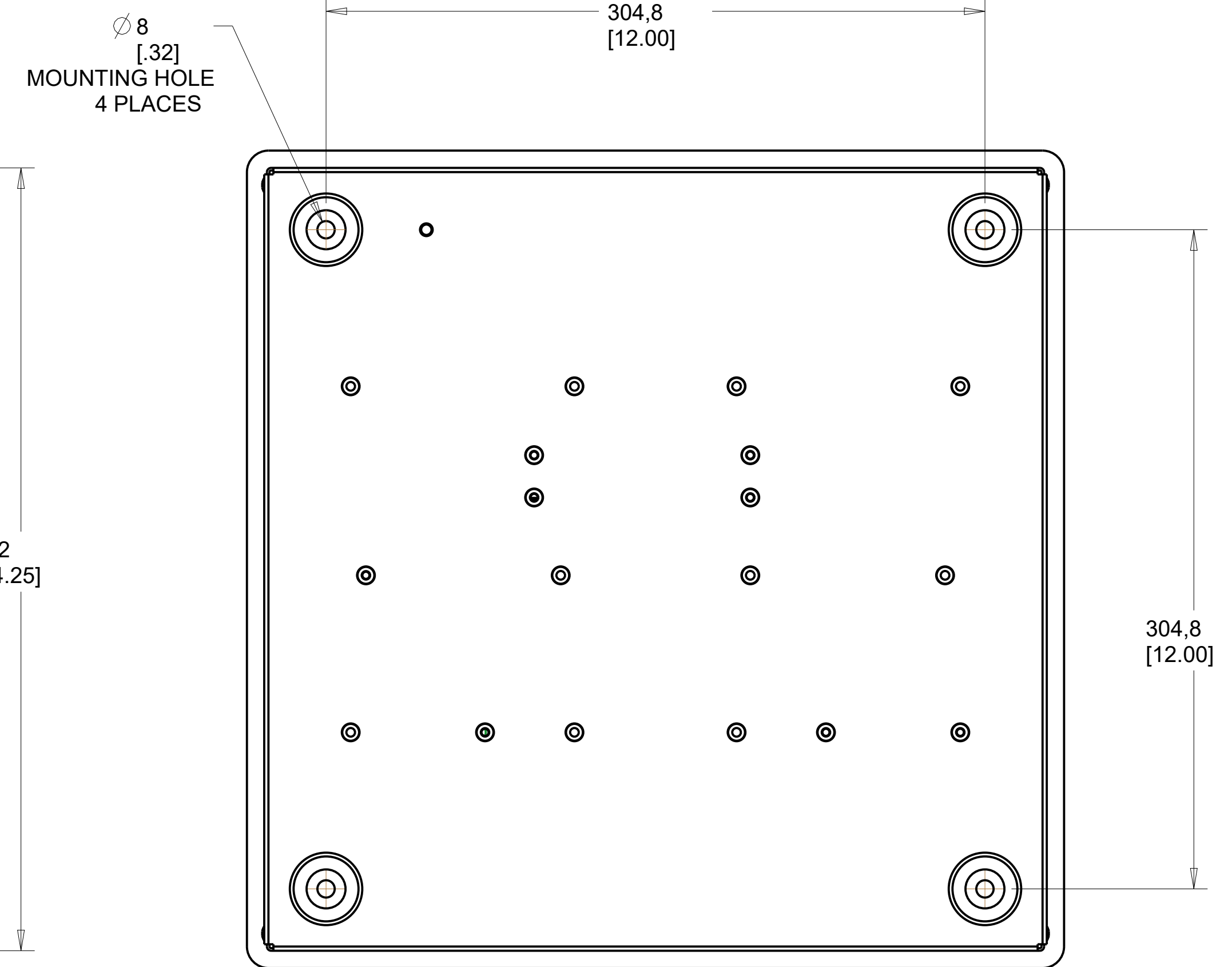
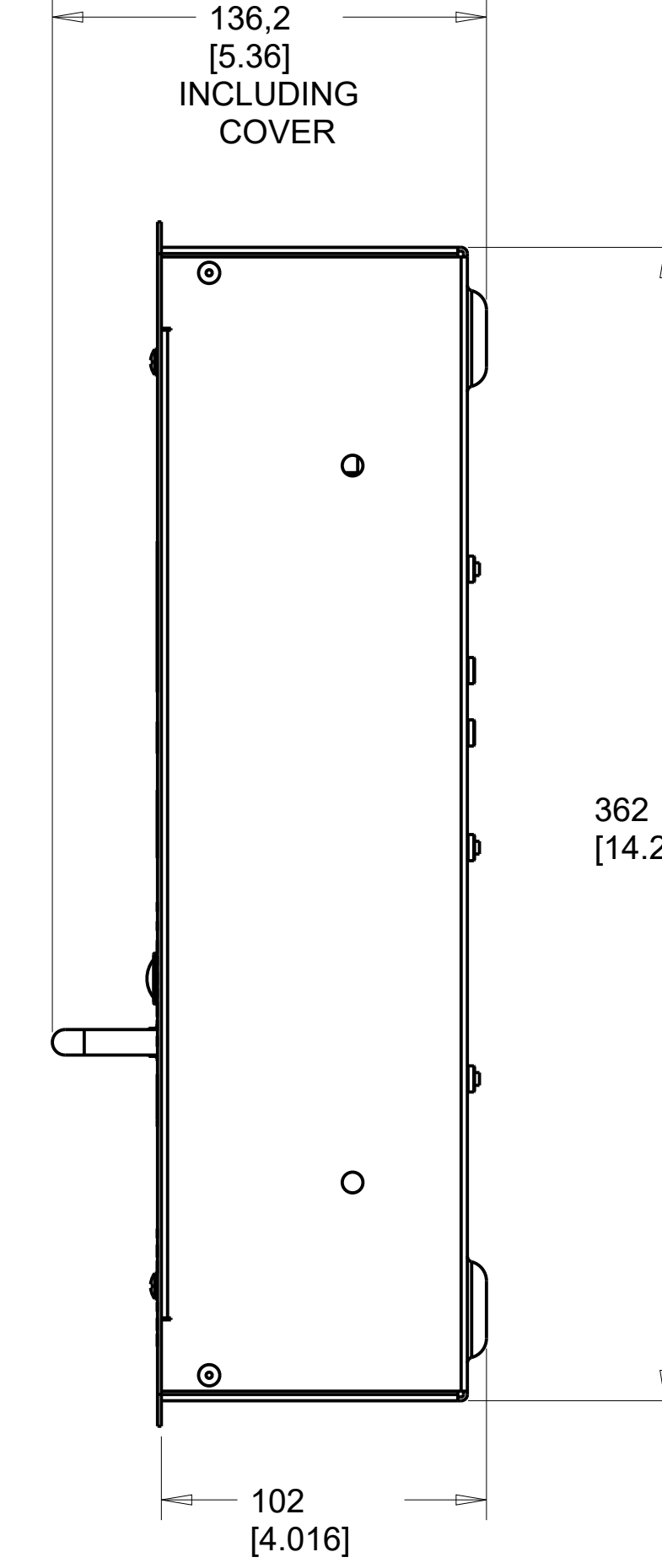
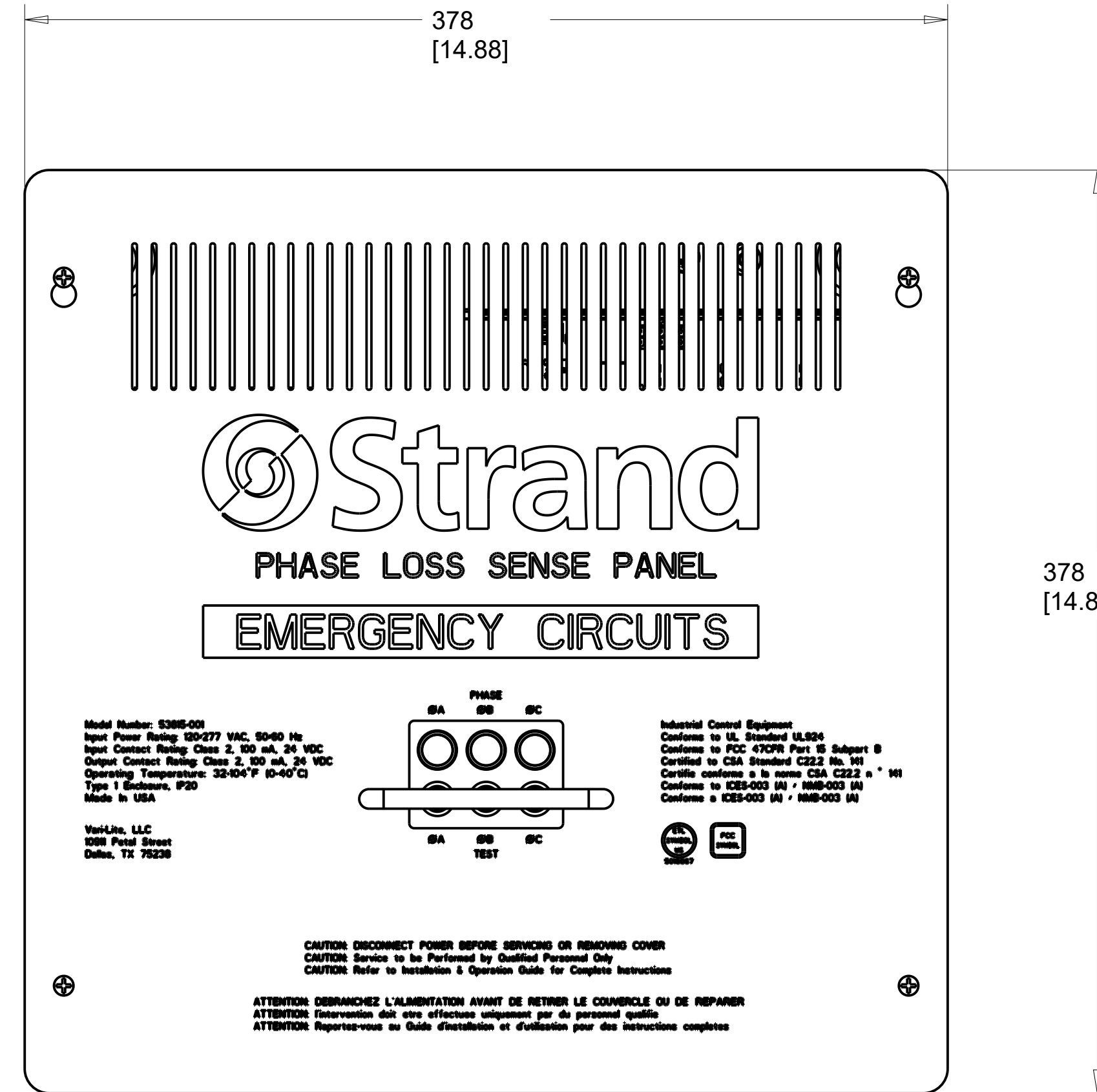
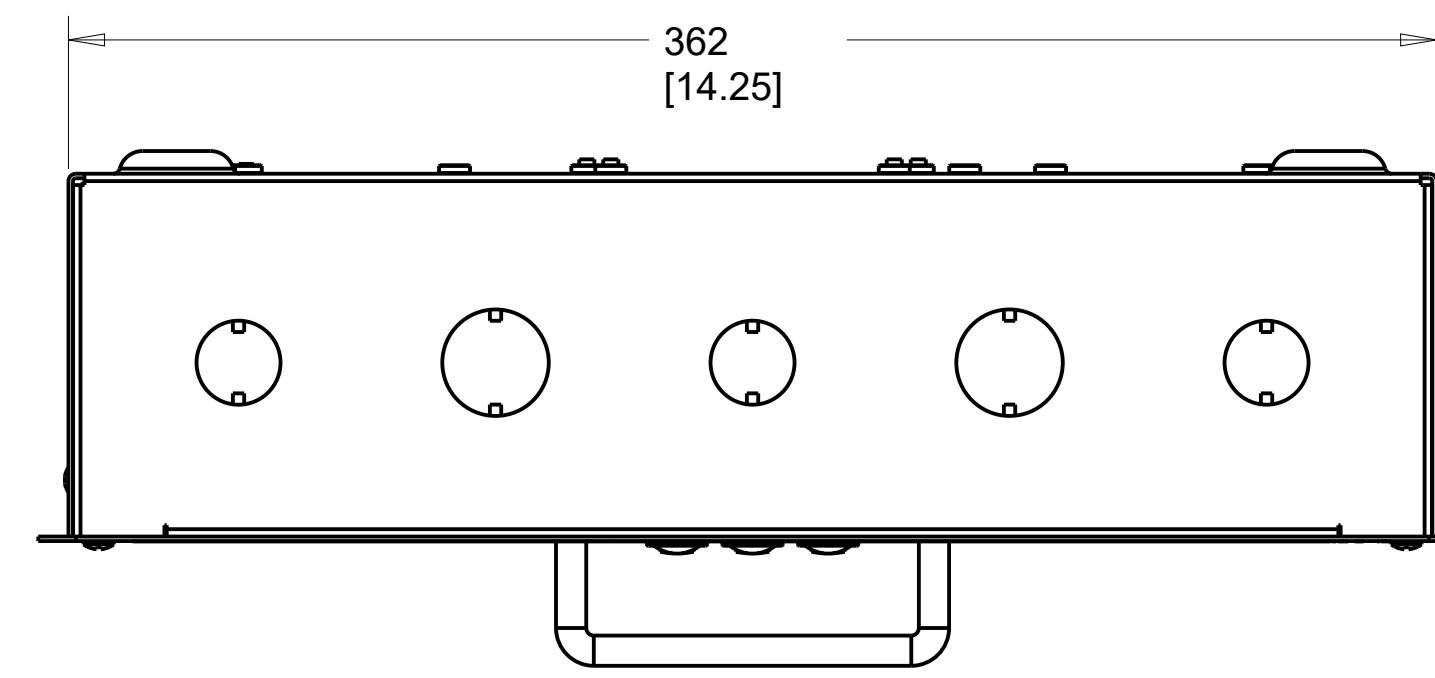
4

1

3

2

1



NOTES:  
1. DIMENSION UNITS ARE MM/[IN].

		PHASE LOSS SENSE PANEL OUTLINE DIMENSION DRAWING			
		Vari-Lite, LLC 10911 PETAL ST. DALLAS, TX 75238		DATE 8/21	SIZE D
© 2020 SIGNIFY HOLDING. ALL RIGHTS RESERVED		SCALE 1.00	CREO 3.0	SHEET 1	OF 1