

Selecon

PLPROFILE4 MKII LED Luminaires



Website:
www.vari-lite.com

The material in this manual is for information purposes only and is subject to change without notice. Selecon assumes no responsibility for any errors or omissions which may appear in this manual. For comments and suggestions regarding corrections and/or updates to this manual, please visit the Selecon web site at www.seleconlight.com or contact your nearest Selecon office.

El contenido de este manual es solamente para información y está sujeto a cambios sin previo aviso. Selecon no asume responsabilidad por errores o omisiones que puedan aparecer. Cualquier comentario, sugerencia o corrección con respecto a este manual, favor de dirigirlo a la oficina de Selecon más cercana.

Der Inhalt dieses Handbuches ist nur für Informationszwecke gedacht, Aenderungen sind vorbehalten. Selecon uebernimmt keine Verantwortung für Fehler oder Irrtuemer, die in diesem Handbuch auftreten. Für Bemerkungen und Verbesserungsvorschlaege oder Vorschlaege in Bezug auf Korrekturen und/oder Aktualisierungen in diesem Handbuch, moechten wir Sie bitten, Kontakt mit der naechsten Selecon-Niederlassung aufzunehmen.

Le matériel décrit dans ce manuel est pour information seulement et est sujet à changements sans préavis. La compagnie Selecon n'assume aucune responsabilité sur toute erreur ou omission inscrite dans ce manuel. Pour tous commentaires ou suggestions concernant des corrections et/ou les mises à jour de ce manuel, veuillez s'il vous plait contacter le bureau de Selecon le plus proche.

Note: Information contained in this document may not be duplicated in full or in part by any person without prior written approval of Selecon. Its sole purpose is to provide the user with conceptual information on the equipment mentioned. The use of this document for all other purposes is specifically prohibited.

Document Number: **02.9694.4010 A**

Version as of: **26 February 2016**

PLPROFILE4 MKII LED Luminaire Installation & User's Manual

©2016 Group. All rights reserved.

IMPORTANT INFORMATION

Warnings and Notices

When using electrical equipment, basic safety precautions should always be followed including the following:



- a. **READ AND FOLLOW ALL SAFETY INSTRUCTIONS.**
- b. Do not use outdoors.
- c. Do not mount near gas or electric heaters.
- d. Equipment should be mounted in locations and at heights where it will not readily be subjected to tampering by unauthorized personnel.
- e. The use of accessory equipment not recommended by the manufacturer may cause an unsafe condition.
- f. Do not use this equipment for other than intended use.
- g. Refer service to qualified personnel.

SAVE THESE INSTRUCTIONS.



WARNING: You must have access to a main circuit breaker or other power disconnect device before installing any wiring. Be sure that power is disconnected by removing fuses or turning the main circuit breaker off before installation. Installing the device with power on may expose you to dangerous voltages and damage the device. A qualified electrician must perform this installation.

WARNING: Refer to National Electrical Code® and local codes for cable specifications. Failure to use proper cable can result in damage to equipment or danger to personnel.

WARNING: This equipment is intended for installation in accordance with the National Electric Code® and local regulations. It is also intended for installation in indoor applications only. Before any electrical work is performed, disconnect power at the circuit breaker or remove the fuse to avoid shock or damage to the control. It is recommended that a qualified electrician perform this installation.

Additional Resources for DMX512

For more information on installing DMX512 control systems, the following publication is available for purchase from the United States Institute for Theatre Technology (USITT), "Recommended Practice for DMX512: A Guide for Users and Installers, 2nd edition" (ISBN: 9780955703522). USITT Contact Information:

USITT
315 South Crouse Avenue, Suite 200
Syracuse, NY 13210-1844
Phone: 1.800.938.7488 or 1.315.463.6463
www.usitt.org

Selecon Limited Three-Year Warranty

Selecon offers a three-year limited warranty of its luminaires against defects in materials or workmanship from the date of delivery. A copy of Selecon three-year limited warranty containing specific terms and conditions can be obtained from the Selecon web site at www.seleconlight.com or by contacting your local Selecon office.

PLPROFILE4 MKII LED Luminaire's powerful LED engine offers exceptional performance and life. Under normal operating conditions, our LED engine has a life expectancy in excess of 50,000 hours, however under worst case operating conditions with the luminaire set to continuous full output it is possible that a small percentage of LED's may require replacement sooner. The Selecon three-year limited warranty includes our guarantee against premature failure of the LED engine.

TABLE OF CONTENTS

Selecon Offices.....	Inside Front Cover
IMPORTANT INFORMATION	
Warnings and Notices.....	1
Additional Resources for DMX512.....	1
Selecon Limited Three-Year Warranty	1
TABLE OF CONTENTS	
PREFACE	
About this Manual	4
Product Descriptions.....	4
PLPROFILE4 MKII LED Luminaire.....	4
Accessories	5
PLPROFILE4 MKII LED Luminaire Clamps	5
PLPROFILE4 MKII LED Luminaire Lenses.....	5
PLPROFILE4 MKII LED Luminaire Lens Accessories.....	5
PLPROFILE4 MKII LED Luminaire AC Input Power Cables.....	5
PLPROFILE4 MKII LED Luminaire Software Uploader Cable	5
PLPROFILE4 LED LUMINAIRE OVERVIEW	
PLPROFILE4 MKII LED Luminaire Components.....	6
Luminaire Components	6
LCD Display / Menu	6
INSTALLATION AND SET UP	
Top Box Connections	7
Power Requirements.....	8
Connecting Power.....	9
Connecting to the DMX512 Network.....	9
Mounting	10
Using Supplied C-Clamp.....	10
Safety Cable Use	11
Pan and Tilt Adjustments.....	11
Pan Adjustment	11
Tilt Adjustment.....	11
FOCUS AND BEAM ADJUSTMENTS	
Lens Tube Removal and Installation	12
Zoom and Focus Adjustments (Zoomspot Models).....	13
Beam Shutter Operation	14
Gobo/Iris Access Panel.....	14
OPERATION AND PROGRAMMING	
LCD Menu Operation	16
LCD Menu System	16
Menu Structure	18
Security.....	20
Locking Fixture	20
Presets.....	21
Editing Preset Names	21
Settings	21

DMX CONTROL

16-Bit Mode..... 23

8-Bit Mode..... 25

DMX 5-Channel (5-Chan) Mode 27

PLPROFILE4 MKII LED Luminaire DMX Timing Channel Detail..... 27

PLPROFILE4 MKII LED Luminaire RDM Parameter IDs..... 34

CLEANING AND CARE

Special Cleaning and Care Instructions..... 37

Lens Cleaning..... 37

 Front Lens (Exterior)..... 37

 Front Lens (Interior)..... 37

Service and Maintenance..... 39

TROUBLESHOOTING

Troubleshooting Guide..... 40

TECHNICAL SPECIFICATIONS

PLPROFILE4 MKII LED Luminaire Common Specifications 41

PLPROFILE4 MKII LED Luminaire Dimensions..... 42

PREFACE

1. About this Manual

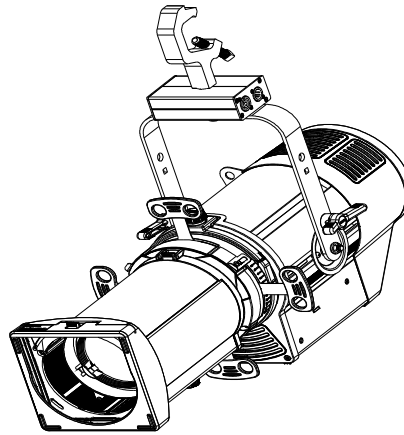
The document provides installation and operation instructions for the following products:

- PLPROFILE4 MKII LED Luminaires (refer to "[Product Descriptions](#)" for individual product models).

Please read all instructions before installing or using this product. *Retain this manual for future reference.* Additional product information and descriptions may be downloaded at www.seleconlight.com

2. Product Descriptions

This manual covers the following PLPROFILE4 MKII LED Luminaire models:



PLPROFILE4 MKII LED Luminaire

Part Number	Description
PLPF4MKII-03	PLPROFILE4 MKII LED Luminaire Engine Only (without lens tube), Black, with C-Clamp, Top Box, Top Box Bolt, Safety Cable and PowerCon AC Input Connector
PLPF4MKII-03-14	PLPROFILE4 MKII LED Luminaire LED Engine, Black, with Axial Ellipsoidal 14-degree Fixed Beam Lens (SPX14LT), C-Clamp, Top Box, Top Box Bolt, Safety Cable and AC Input Cable (PC1XX*)
PLPF4MKII-03-19	PLPROFILE4 MKII LED Luminaire LED Engine, Black, with Axial Ellipsoidal 19-degree Fixed Beam Lens (SPX19LT), C-Clamp, Top Box, Top Box Bolt, Safety Cable and AC Input Cable (PC1XX*)
PLPF4MKII-03-26	PLPROFILE4 MKII LED Luminaire LED Engine, Black, with Axial Ellipsoidal 26-degree Fixed Beam Lens (SPX26LT), C-Clamp, Top Box, Top Box Bolt, Safety Cable and AC Input Cable (PC1XX*)
PLPF4MKII-03-36	PLPROFILE4 MKII LED Luminaire LED Engine, Black, with Axial Ellipsoidal 36-degree Fixed Beam Lens (SPX36LT), C-Clamp, Top Box, Top Box Bolt, Safety Cable and AC Input Cable (PC1XX*)
PLPF4MKII-03-50	PLPROFILE4 MKII LED Luminaire LED Engine, Black, with Axial Ellipsoidal 50-degree Fixed Beam Lens (SPX50LT), C-Clamp, Top Box, Top Box Bolt, Safety Cable and AC Input Cable (PC1XX*)
PLPF4MKII-03-1535	PLPROFILE4 MKII LED Luminaire LED Engine, Black, with Axial Ellipsoidal 15-degree to 35-degree Zoomspot Lens (SPX1535LT), C-Clamp, Top Box, Top Box Bolt, Safety Cable and AC Input Cable (PC1XX*)
PLPF4MKII-03-2550	PLPROFILE4 MKII LED Luminaire LED Engine, Black, with Axial Ellipsoidal 25-degree to 50-degree Zoomspot Lens (SPX2550LT), C-Clamp, Top Box, Top Box Bolt, Safety Cable and AC Input Cable (PC1XX*)

Notes:

- 1) All PLPROFILE4 MKII LED Luminaires are universal voltage (100 - 240VAC).
- 2) *User-specified AC input connector at time of ordering (GR - Edison / GP - Grounded Stagepin / GTL - Twistlock).
- 3) Product accessories can be found in "[Accessories](#)" on page 5.

3. Accessories

Contact your Authorized Selecon Dealer for price and availability of all accessories for PLPROFILE4 MKII LED Luminaires. Additional information can be found on the Selecon web site at www.seleconlight.com (information also found on the Strand Lighting web site at www.strandlighting.com).

PLPROFILE4 MKII LED Luminaire Clamps

Part Number	Description
SC	Selecon Molded Yoke Rated C-Clamp
MC	Mega Claw, Black Anodized

PLPROFILE4 MKII LED Luminaire Lenses

Part Number	Description
SPX14LT	SPX Axial Ellipsoidal 14-degree Fixed Beam Lens Tube Only
SPX19LT	SPX Axial Ellipsoidal 19-degree Fixed Beam Lens Tube Only
SPX26LT	SPX Axial Ellipsoidal 26-degree Fixed Beam Lens Tube Only
SPX36LT	SPX Axial Ellipsoidal 36-degree Fixed Beam Lens Tube Only
SPX50LT	SPX Axial Ellipsoidal 50-degree Fixed Beam Lens Tube Only
SPX1535LT	SPX Axial Ellipsoidal 15-degree to 35-degree Zoomspot Lens Tube Only
SPX2550LT	SPX Axial Ellipsoidal 25-degree to 50-degree Zoomspot Lens Tube Only

PLPROFILE4 MKII LED Luminaire Lens Accessories

Part Number	Description
20IRIS	20-Leaf SPX Iris
SPXGHB	SPX Gobo Holder, Size B, For Metal Gobos
SPXGHGB	SPX Gobo Holder, Size B, For Glass Gobos
19PACCF	SPX Color Frame, Spare
19PACSMFB	SPX Lens Safety, Mesh
19SPXCF	SPX Replacement Color Frame, 6-1/4" Square, Black
PLPF4ULTA	Universal Lens Tube Adapter

PLPROFILE4 MKII LED Luminaire AC Input Power Cables

Part Number	Description
PC1BE	PL Series Luminaire AC Power Input Cable (39 inches / 1 meter), PowerCon without AC connector (bare end)
PC1GP	PL Series Luminaire AC Power Input Cable (39 inches / 1 meter), PowerCon with Stagepin Connector
PC1GTL	PL Series Luminaire AC Power Input Cable (39 inches / 1 meter), PowerCon with Twistlock Connector
PC1GR	PL Series Luminaire AC Power Input Cable (39 inches / 1 meter), PowerCon with Edison Connector
PC3PC	PL Series Luminaire Interconnection Cable (2.5 meter), PowerCon Male to PowerCon Female for interconnection between units

PLPROFILE4 MKII LED Luminaire Software Uploader Cable

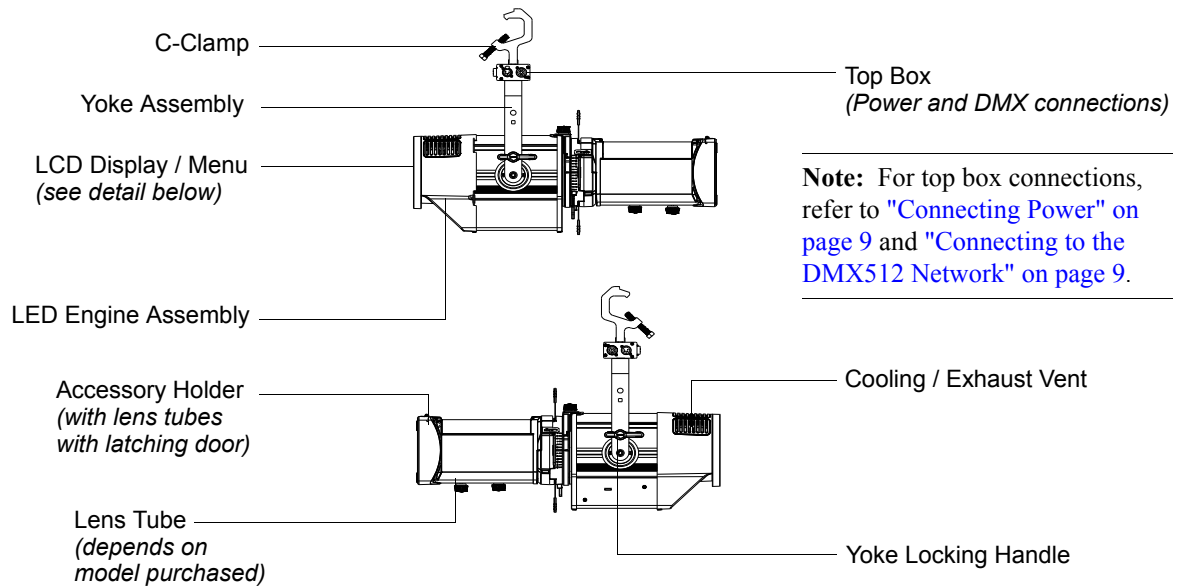
Part Number	Description
PEGASUS	USB Luminaire Software Programming Kit (for updating or reloading luminaire software only) - includes USB Upload Cable, QuickStart Guide, and Carry Bag

PLPROFILE4 LED LUMINAIRE OVERVIEW

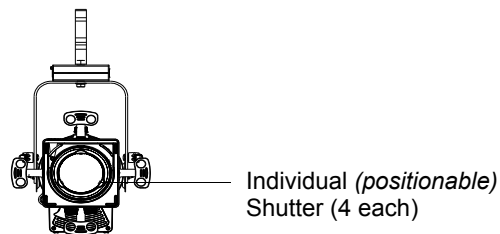
1. PLPROFILE4 MKII LED Luminaire Components

Luminaire Components

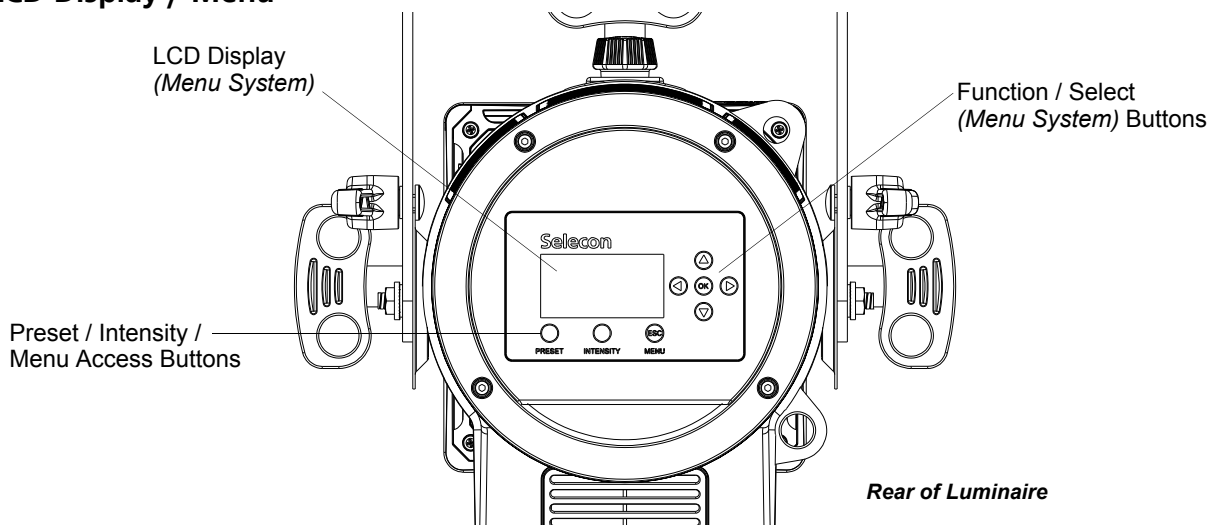
Side Views of Luminaire



Front View of Luminaire



LCD Display / Menu



Note: For Menu operation and programming details, refer to "LCD Menu Operation" on page 16.

INSTALLATION AND SET UP

1. Top Box Connections

All PLPROFILE4 MKII LED Luminaires are supplied with a "Top Box" for AC Input/Output and DMX512 Input/Output Connections. **Figure 1** shows the AC and DMX512 Input and Output (Thru) Connections.

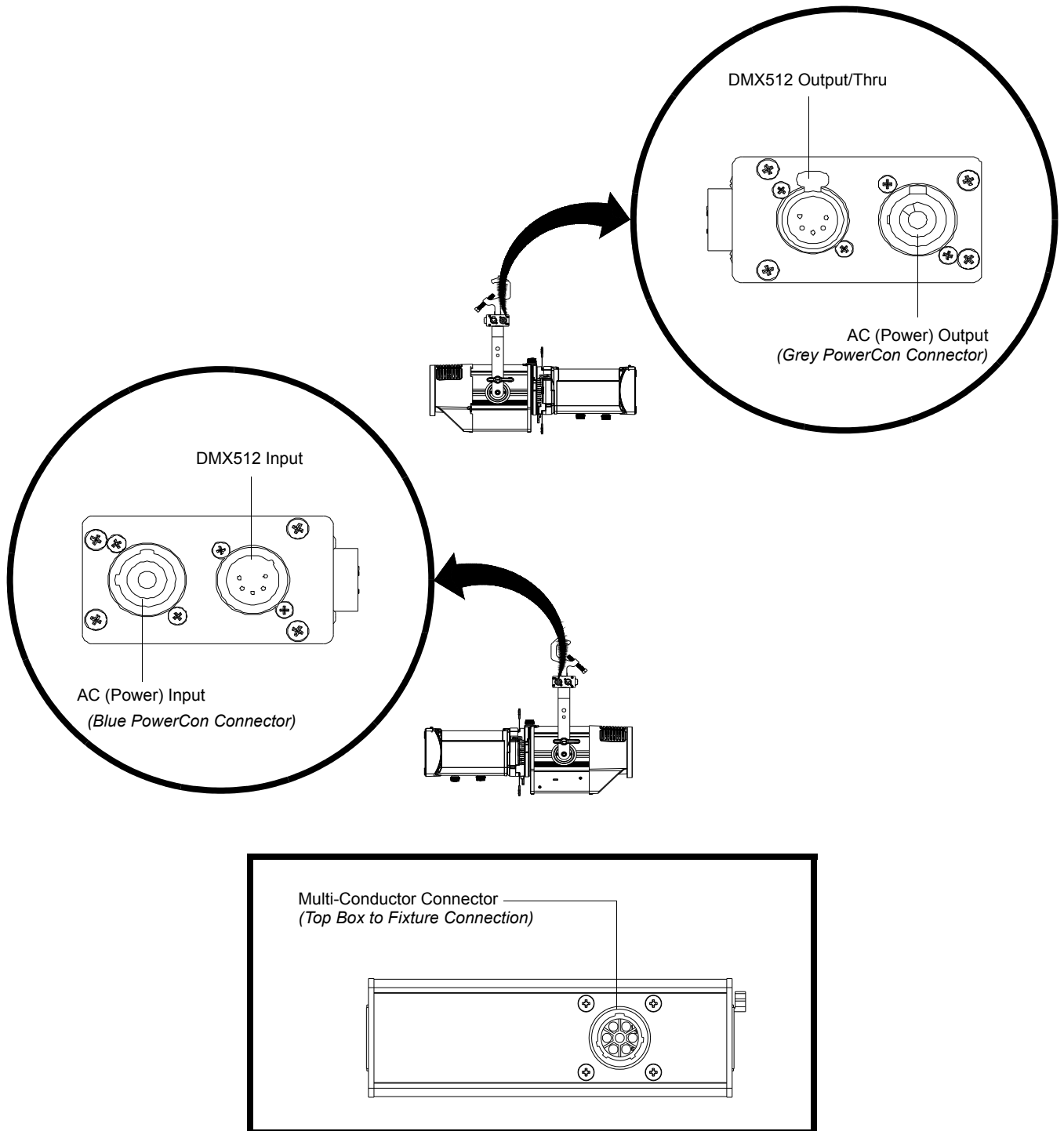


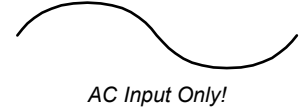
Figure 1: PLPROFILE4 MKII LED Luminaire Top Box Connections

2. Power Requirements



WARNING! The PLPROFILE4 MKII LED Luminaire should be connected to a constant circuit or a relay device. It should never be connected to a dimmer or circuit controlled by a dimmer.

The PLPROFILE4 MKII LED Luminaire operates on 100 to 240 volts AC (+/- 10%, auto-ranging). The luminaire contains an auto-ranging power supply. Depending on supply voltage, each luminaire can draw up to 580 Watts. The maximum through current should not exceed 20 Amps*.



WARNING! *Maximum Allowable Input Current of 20 Amps (maximum power supply limit of 580 Watts). **Do not overload circuits! Must be supplied by a branch circuit protected by a maximum 20 Amp circuit protector. Doit être alimenté par un circuit de dérivation protégé par un maximum de 20 ampères circuit protecteur. Do not overload circuits!**



IMPORTANT AC POWER CONNECTION NOTES:

- a. *Must be supplied by a branch circuit protected by a maximum 20 Amp circuit protector. Doit être alimenté par un circuit de dérivation protégé par un maximum de 20 ampères circuit protecteur.*
- b. When using the daisy-chain connection method, ONLY connect PLPROFILE4 MKII LED Luminaires to AC Output Connection of PLPROFILE4 MKII LED Luminaires. DO NOT CONNECT OTHER TYPES OF LUMINAIRES OR DEVICES!
- c. Use only approved cable types.
- d. Do not overload circuits!
- e. Do not connect PLPROFILE4 MKII LED Luminaires to dimmed circuits.
- f. The MAXIMUM allowable number of PLPROFILE4 MKII LED Luminaires which can be 'daisy-chained' on one power feed should not exceed ratings. DO NOT EXCEED!

PLPROFILE4 MKII Selecon LUMINAIRE	
100 - 240 VAC 50/60 Hz (AC Only) 580 Watts Max	
5.0A@115VAC / 2.5A@230VAC 20A Max Thru Current!	
Tc: 60°C	
	Ta: 40°C
Ø 0.2m	
	IP20
Not for Residential use. Dry Locations Only!	
Impropre A l'usage Domestique. Pour Emplacements Secs Seulement!	
No-User Serviceable Parts	
	
	Z899
	
	Intertek 2000851
Conforms to UL1573 Certified to CSA E598-2-17	
Made in U.S.A. www.seleconlight.com 04.9694.4210 A	

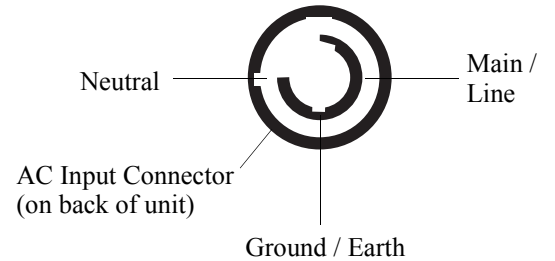
3. Connecting Power

Note: Refer to **Figure 1 on page 7** for AC Input and Output connections.

If the unit is supplied with an AC input cable, **Table 1** describes how to connect power to your PLPROFILE4 MKII LED Luminaire. Field wiring of the PLPROFILE4 MKII LED Luminaire is straight forward. A total of 3 wires/ conductors need to be brought to the unit. The following wiring scheme is required:

Table 1: PLPROFILE4 MKII LED Luminaire AC Input Connections

Wire Color	Purpose
Brown	Main / Line (120 to 240VAC)
Blue	Neutral
Green/Yellow	Ground

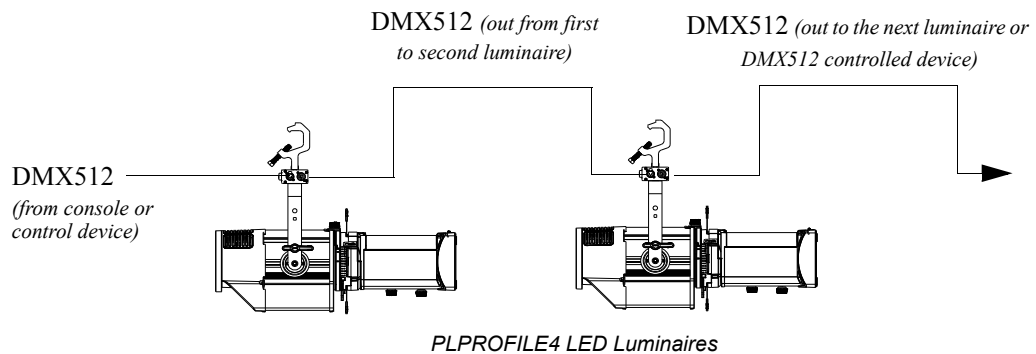


4. Connecting to the DMX512 Network

Note: Refer to **Figure 1 on page 7** for DMX512 Input and Output/Thru connections.

Basic DMX512 installation consists of connecting multiple PLPROFILE4 MKII LED Luminaires together (up to 30 luminaires) in "daisy-chain" fashion. A cable runs from the control console (or DMX512 control source) to the DMX connector on the first PLPROFILE4 MKII LED Luminaire. Another cable runs from the other DMX connector on the first unit to a DMX connector on the next PLPROFILE4 MKII LED Luminaire (or DMX512 device to be controlled).

Note: For more information on DMX512 networking and systems, refer to ["Additional Resources for DMX512" on page 1](#). For PLPROFILE4 MKII LED Luminaire DMX Mapping, refer to ["DMX CONTROL" on page 23](#).



DMX512 Connections	
DMX512 Signal	XLR Pin
Common (Drain)	1
DMX512 -	2
DMX512 +	3

Note: Remaining pins on each connector are not used.

Figure 2: Connecting DMX512

5. Mounting



WARNING! Before attempting any installation or service, disconnect all power at power source. Dimming the luminaire does not disconnect power. Installation and service should only be performed by a trained and qualified professional.

Using Supplied C-Clamp

As illustrated in **Figure 3 on page 10**, at yoke assembly, thread clamp mounting bolt (with washer installed) through center clamp mounting hole at top of yoke, through Top Box Assembly, and thread bolt into C-Clamp. Securely tighten bolt (by hand) into clamp (but do not over-tighten).

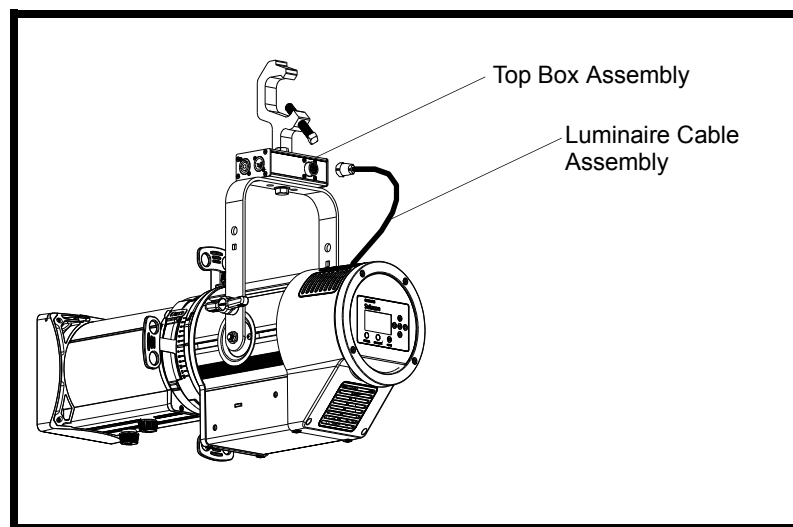
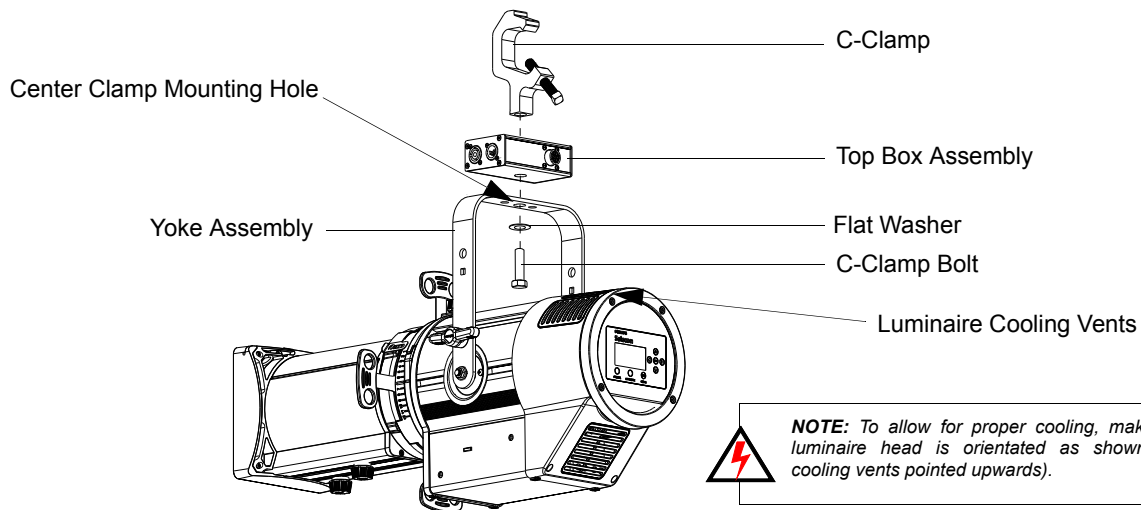


Figure 3: Luminaire Mounting

To mount on a telescopic stand, reverse the yoke under the luminaire and bolt to stand. Please note luminaire orientation (see note in **Figure 3**).

Note: After installing Clamp and Top Box assembly, connect luminaire cable assembly to Top Box Assembly before mounting luminaire. Please note that the cable connector is keyed.

Safety Cable Use

The supplied safety cable **MUST** always be used when rigging luminaires on bars, truss, etc. (as shown in **Figure 4**). *FOR LUMINAIRE*, the supplied safety cable is recommended for all hanging installation and may be required by national and local codes. Loop safety cable through luminaire yoke assembly as shown and attach to structure. *FOR LENS TUBE*, attach a safety cable (sold separately) to lens tube anchor point and to yoke assembly. You should always consult and follow all local and national codes and regulations for mounting and installation of luminaire.



WARNING! If your luminaire is equipment with the eyelet as indicated in **Figure 4**, **DO NOT attach safety cable to this eyelet on luminaire body**. This eyelet feature was included for another purpose other than the safety cable and will be removed from future production models.

6. Pan and Tilt Adjustments

Pan Adjustment

The pan adjustment of a PLPROFILE4 MKII LED Luminaire is achieved by loosening the yoke bolt of the securing clamp attached to the luminaire's yoke assembly. Loosen the bolt, set the luminaire to the desired position and re-tighten.

Tilt Adjustment

PLPROFILE4 MKII LED Luminaires offer variable tilt settings. The unit can be set at a specific angle (in relation to its mounting position) or at an angle between 0 to 90 degrees. When the yoke is in the position shown in **Figure 4**, you have full range access to shutters the gate etc. If you flip the yoke over some access is reduced but the over all volume the luminaire takes up is reduced. This is particularly useful in tightly hung lighting positions or in theatres with low grids.

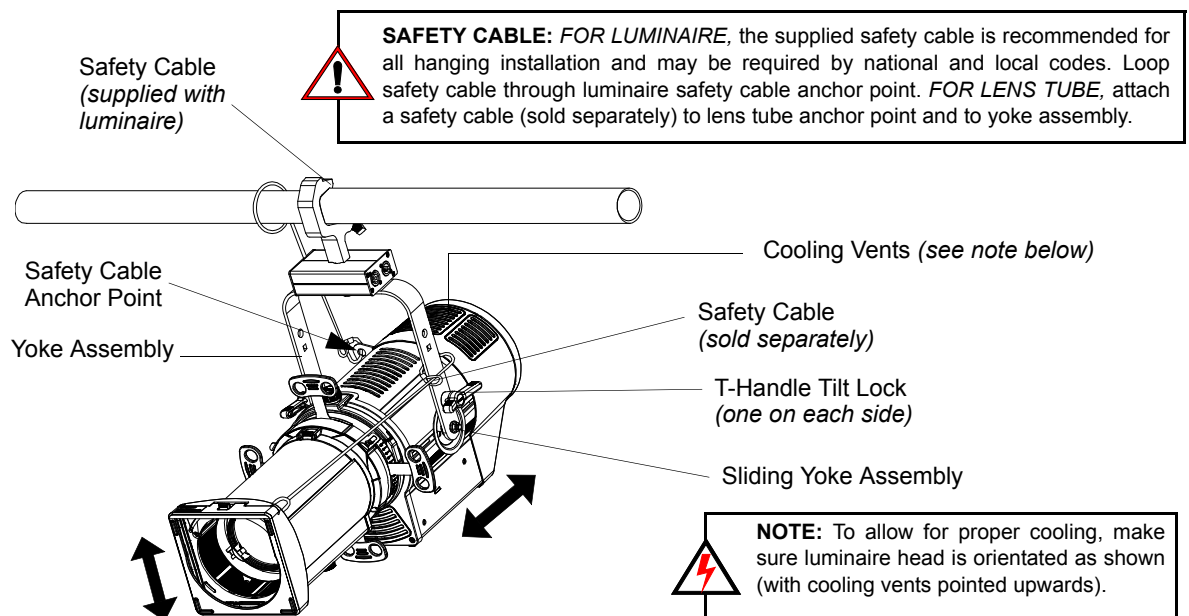


Figure 4: Luminaire Tilt Adjustment

To adjust and set tilt angle of the luminaire:

- Step 1. Mount luminaire in desired location (see "[Mounting](#)" on page 10 for more information).
- Step 2. Loosen, but do not remove, T-Handle Tilt Locks at base of yoke assembly as shown in **Figure 4**.
- Step 3. Position luminaire to desired tilt position.
- Step 4. Retighten T-Handle Tilt Locks to set position.

FOCUS AND BEAM ADJUSTMENTS

1. Lens Tube Removal and Installation

It is easy and quick to change to the lens tubes on a PLPROFILE4 MKII LED Luminaire. Fixed beam and zoom lens tubes are interchangeable.

To remove and install lens tubes:

Step 1. Loosen (but do not remove) move lens knob(s) towards front of lens tube assembly. See ["Zoom and Focus Adjustments \(Zoomspot Models\)"](#) on page 13 for more information.

Step 2. As illustrated **Figure 5**, side lens tube locking catch forward.

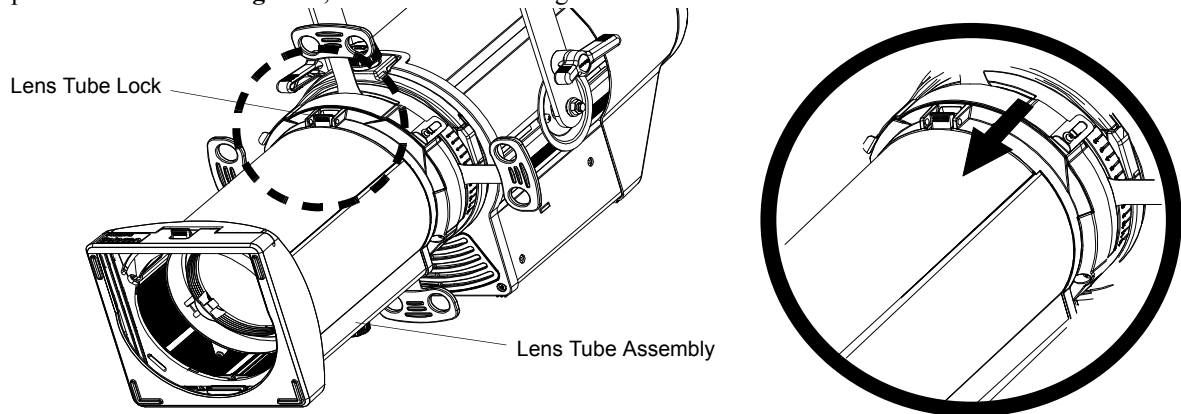


Figure 5: Lens Tube Assembly Removal - Lens Locking Catch

Step 3. Lift lens tube assembly up and away from light engine assembly.

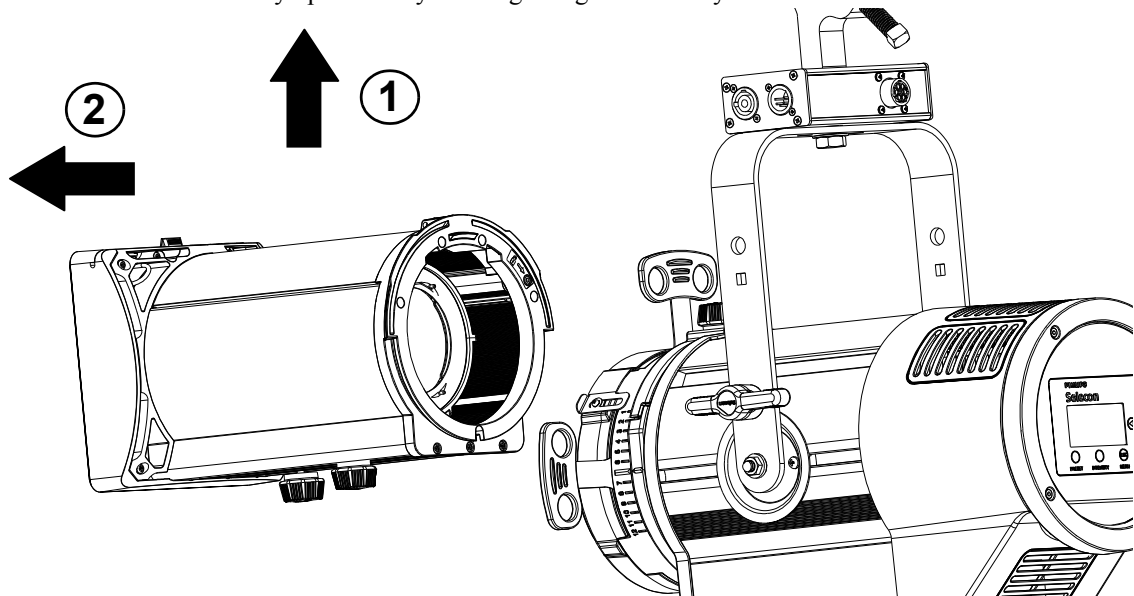


Figure 6: Lens Tube Assembly Removal

Step 4. To install perform process in reverse.



CAUTION: Ensure the lens tube locking catch is fully engaged and safety cable is attached before putting fixture into use. For safety cable attachment, refer to ["Safety Cable Use"](#) on page 11 for more information.

2. Zoom and Focus Adjustments (Zoomspot Models)

Note: Fixed Beam Angle models have hard/soft focus adjustment only.

To adjust zoom/beam angle and focus:

- Step 1. Make sure all frame shutters are open (out of beam path). See "[Beam Shutter Operation](#)" on page 14 for more information.
- Step 2. As shown in **Figure 7**, loosen Zoom Adjustment Knob and set beam angle as desired.
- Step 3. Hand-tighten Zoom Adjustment Knob to lock position.
- Step 4. Loosen Focus Adjustment Knob.
- Step 5. Move Focus Adjustment Knob along forward (or back) until beam focus is set as desired.
- Step 6. Hand-tighten Focus Adjustment Knob to lock position.

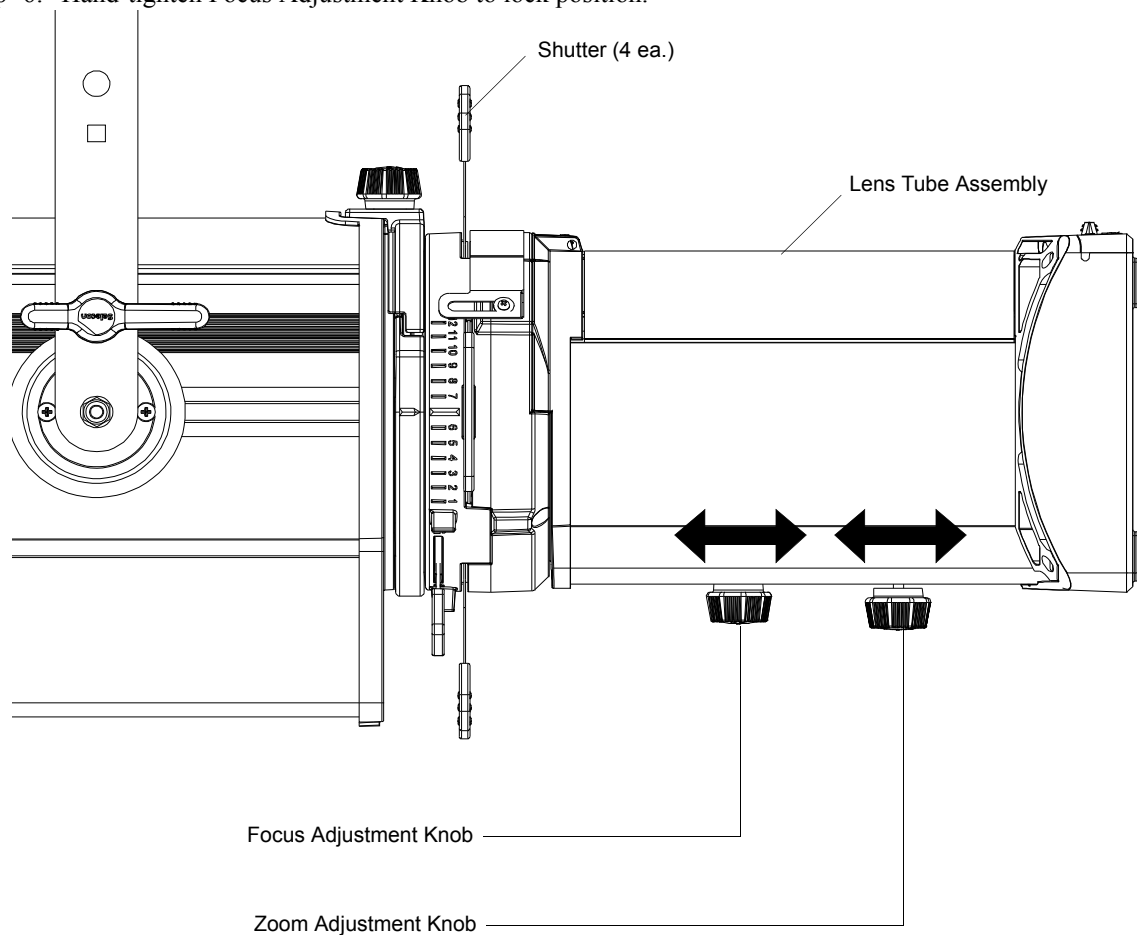


Figure 7: Zoom and Focus Adjustment Knobs

3. Beam Shutter Operation

Each PLPROFILE4 MKII LED Luminaire is equipped with four independent shutters (as shown in **Figure 8**) to block or shape light as desired. After the luminaire is installed and positioned, move the shutters in or out as required. Use the shutter lock to lock-in the shutter settings.

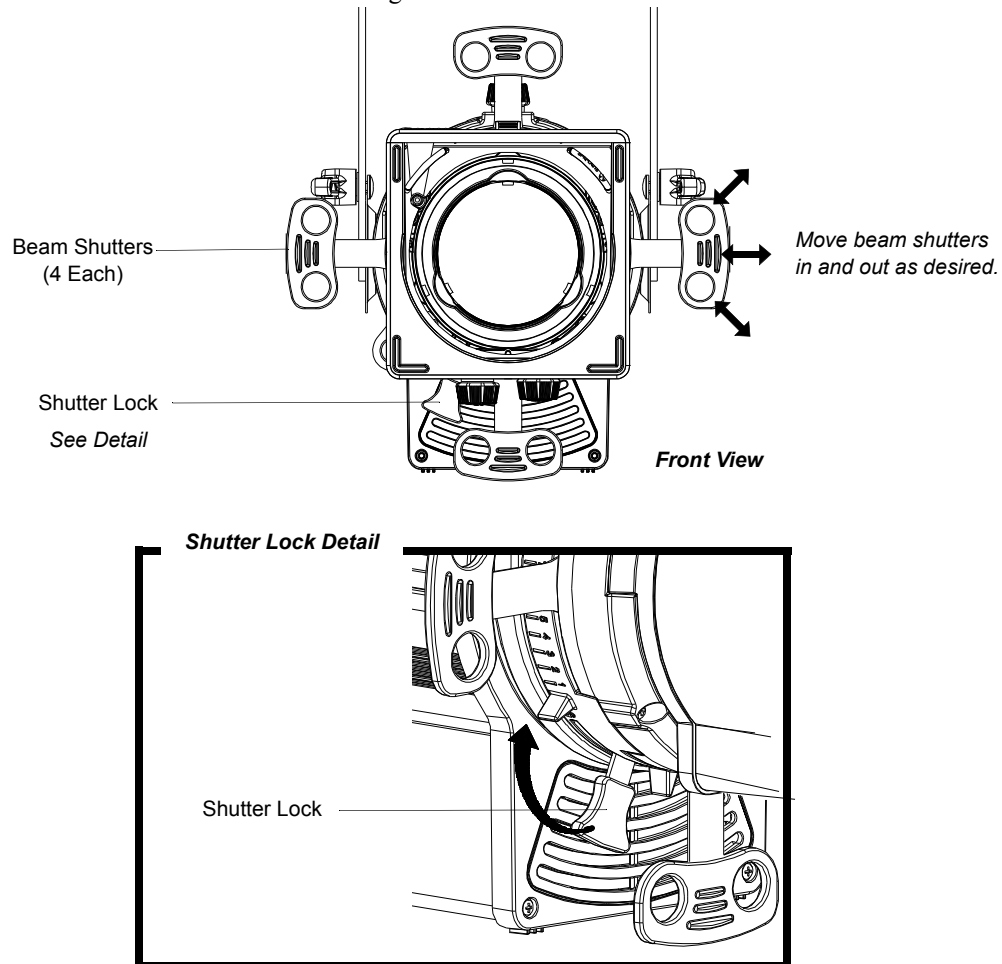


Figure 8: PLPROFILE4 MKII LED Luminaire Beam Shutters

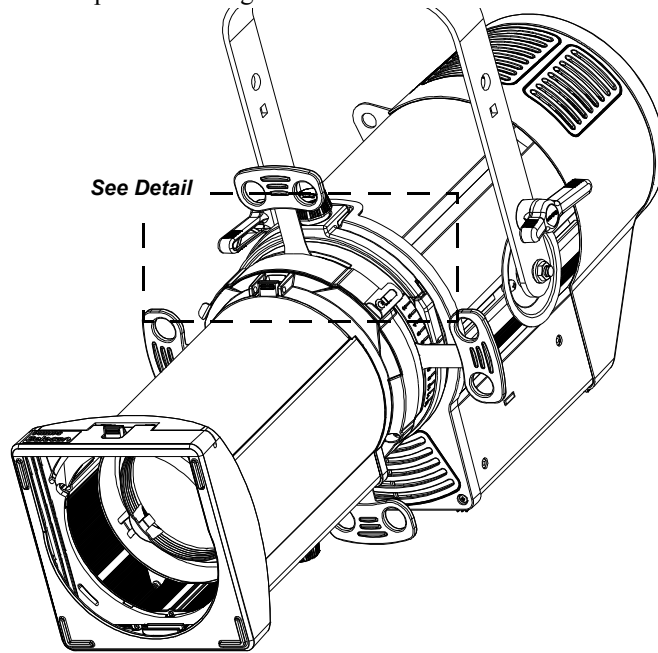
4. Gobo/Iris Access Panel

Each PLPROFILE4 MKII LED Luminaire is capable of holding two gobo holders, each containing one "B" sized glass or steel gobo. PLPROFILE4 MKII LED Luminaire are not supplied gobo holders or an iris. These items can be purchased from your local Authorized Dealer. For more information, refer to ["PLPROFILE4 MKII LED Luminaire Lens Accessories"](#) on page 5.

To install or change a gobo:

- Step 1. As shown in **Figure 9 on page 15**, loosen, but do not remove, two retaining screws that secure gobo/iris access panel. Slide open gobo/iris access panel.
- Step 2. Install gobo into gobo holder in desired orientation.
- Step 3. Slide gobo holder into luminaire gobo slot.
- Step 4. Close gobo access door. Make sure gobo holder handle fits inside one of two slots in gobo access panel.

Step 5. Hand tighten gobo access panel retaining screws.



Detail

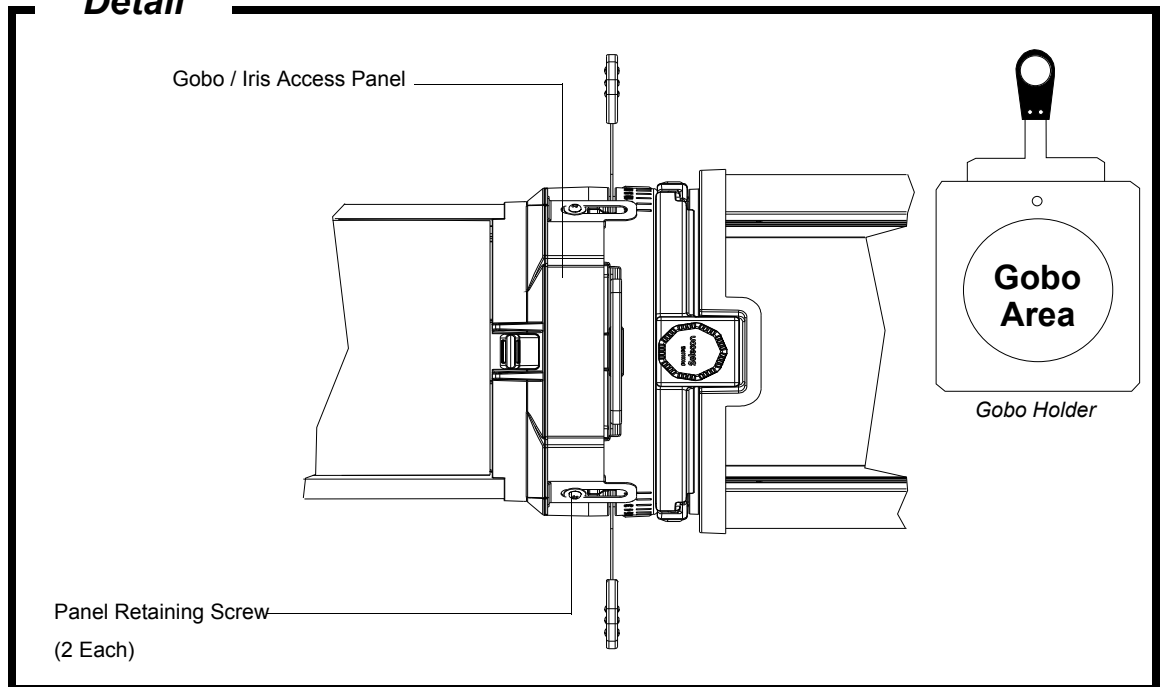


Figure 9: PLPROFILE4 MKII LED Luminaire Gobo Holder and Gobo Installation

OPERATION AND PROGRAMMING

1. LCD Menu Operation

The PLPROFILE4 MKII LED Luminaire's LCD Display and Menu System provides local control for accessing all the fixture's status information, menu options, and settings.

Note: If there are multiple luminaires in a system, changes would need to be made at each LCD Menu as desired.

Upon power up, the LCD will display the main screen showing the product type/name. If DMX is enabled, the programmed address will appear after power up.

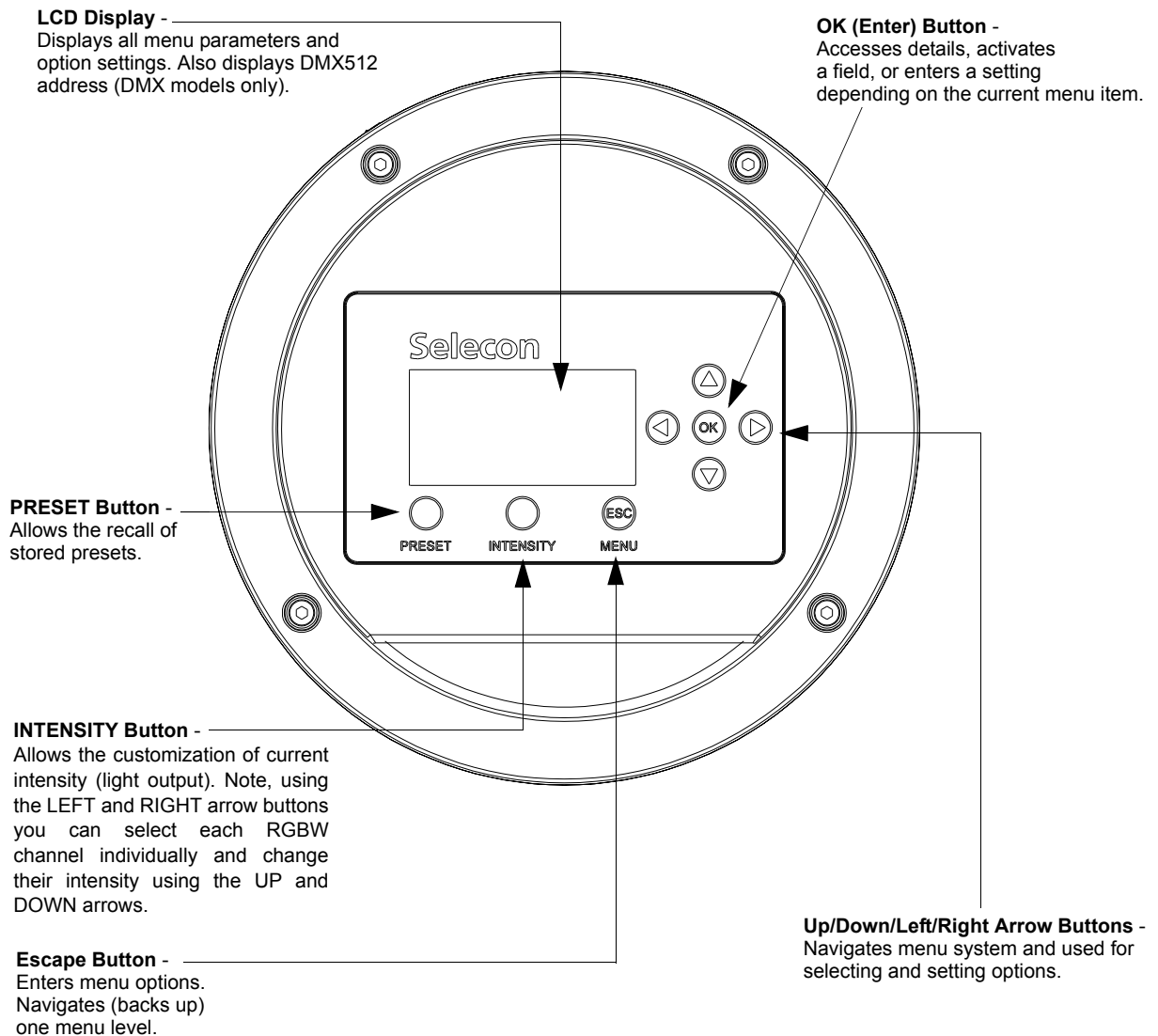


Figure 10: LCD Display and Menu System

2. LCD Menu System

The LCD Display Menu system consists of several categories. Use the four arrow buttons as required (refer to **Figure 10 on page 16**) to access and make changes to the menu items. When the desired menu item is reached, press [OK] to display the menu options. Use navigation and [OK] buttons to view status and configure the LCD Menu as required.

Note: Refer to "Menu Structure" on page 18 for complete structure and settings.

To navigate and access menu settings/selections:

Step 1. At Main Menu, press [ESC] / [MENU] button once. Another window will appear with sub-menu categories:

- Save as Preset
- Edit a Preset
- Color Mixer
- Settings
- Lock Fixture
- Fixture Status
- Normalize Colors

Step 2. Press [OK] at desired menu item to access and make changes.

Step 3. Make changes as desired.

Note: When DMX512 signal is present, **Edit Preset** and **Color Mixer** options will not appear in menu structure.

To navigate fixture status menus:

Step 1. At default screen, press LEFT or RIGHT arrow button once. The default menu screen will change to allow for quick reference to the following items (note, depending on which arrow button is pressed, status screens may appear in reverse order):

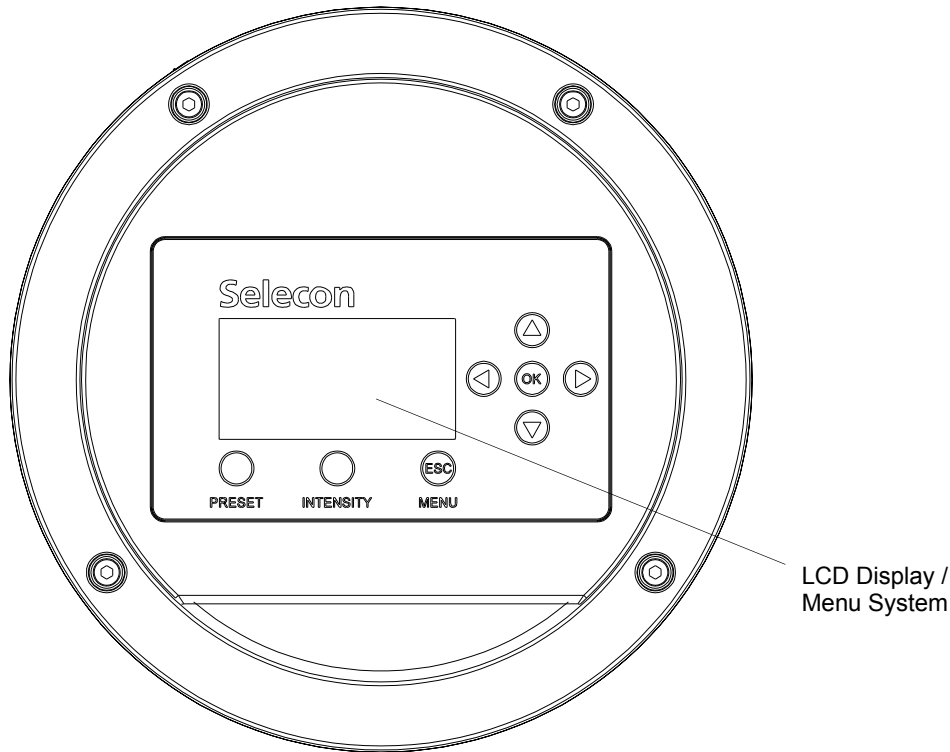
- a. **DMX Address** (note, if fixture is UNLOCKED, hit [OK] to change DMX address).
- b. **Fixture Hours** (displays fixture operating hours since last reset).
- c. **Fixture Power** (displays present power consumed by fixture (in Watts)).
- d. **Fixture Status** (displays DMX or Preset selected, temperature, LED Status, fan status).

Step 2. Press LEFT or RIGHT arrow buttons to scroll through status screens.

Step 3. Press [ESC] at anytime to access Main Menu.

3. Menu Structure

Note: See "To navigate and access menu settings/selections:" on page 17 to learn how to access menus. To save changes, hit [OK]. Press [ESC] to cancel any changes you made.



MAIN MENU

Save a Preset

Sub Menu	Options	Comments
Select Preset to Save - (Option) <i>Scrolls and sets current user-defined color mix to various recallable presets in the fixture using arrow buttons.</i> <i>Note: To edit a current (set) preset, see Edit Presets.</i>	Off	Users can: <ul style="list-style-type: none"> Save the current settings (look) to a specific recallable Preset in the fixture's memory. Edit the levels (values) for Red, Green, Blue, White, and Intensity values (in percent%) by using the arrow buttons. Once the values are adjusted, the preset is saved as desired. *Only intensities may be stored on White Color Temperature presets. RGBW in these presets cannot be edited or changed.
	Scratch Pad	
	Warm White*	
	Cool White*	
	Day Light*	
	Preset X (5 through 31)	

Continued next page

Menu Structure (continued)

Continued from previous page

Edit a Preset

Sub Menu	Options	Comments
Select Preset to Edit - (Option) Selects a current preset and outputs the preset, so preset can be edited. Note: To save a specific look of the fixture, see Save Presets. For additional information, refer to "Presets" on page 21.	Off	Users can: <ul style="list-style-type: none"> Edit the current settings (look) to a specific recallable Preset in the fixture's memory. Edit the values for Red, Green, Blue, White, and Intensity values (in percent%) by using the arrow buttons. Once the values are adjusted, the "Save Preset" menu option appears to save the edits. NOTES: *Only intensities may be stored on White Color Temperature presets. RGBW in these presets cannot be edited or changed. **If a Calibrated Preset's Color Mix is changed (5 thru 25), an asterisk "*" is appended to the end of the name to indicate that it has been modified. This only happens if the name matches the original calibrated name, stored in EEPROM. This does not happen if the Intensity is changed, only the color mix.
	Scratch Pad	
	Warm White*	
	Cool White*	
	Day Light*	
	Preset X (5 through 31)**	

Note: When DMX512 signal is present, Edit a Preset option will not appear in menu structure.

Color Mixer

Sub Menu	Options	Comments
Select Color or Intensity to Adjust - (Option)	Red	Users can: <ul style="list-style-type: none"> Edit Red, Green, Blue, White, and Intensity values (in percent%) by using the arrow buttons. Once the values are adjusted, press [OK] to save the edits to scratch pad.
	Green	
	Blue	
	White	
	Intensity	

Note: When DMX512 signal is present, Color Mix option will not appear in menu structure.

Settings

Sub Menu	Options	Comments
SETTINGS - (Option) Scrolls and sets the various fixture settings using arrow buttons.		See "Settings" on page 21 for details.

Continued next page

Menu Structure (continued)

Continued from previous page

Lock Fixture

Sub Menu	Options	Comments
Enter PIN	Lock / Are you sure?	Use arrow buttons to make selection. Press [OK] to accept. Note, a PIN code must be established (set) in order to lock a fixture. Locking the fixture will disable access to changing menu settings. For details, refer to "Security" on page 20.

Fixture Status

Sub Menu	Options	Comments
LED Status Information <i>Scrolls through the various levels. Depending on the arrow button pressed, the screens may appear in a different order that shown in "Options".</i>	LED 1	Displays LED's current status (in percentage%) of Intensity, Red, Green, Blue, and White elements of the LED). Fan Speed, operational LED junction temperature, power settings.
	Levels	Displays DMX levels for each LED element (Red, Green, Blue, and White) and total power.

Normalize Colors

Sub Menu	Options	Comments
Normalize Colors	Adjustment of RGBW Intensities	Allows for fine adjustments to color intensities for near perfect color matching.

4. Security

Unwanted changes to the Fixture's Configuration or Setting can be controlled by locking the fixture's menu.

PLPROFILE4 MKII LED Luminaires are shipped with a default numeric PIN code of "0000" (four zeros). Users may set their own PIN code (four-digit number) via **Settings > General > Set PIN**. When setting a PIN code, write it down and keep it in a secure location. Note, Selecon does not have records of PIN codes established by users or owners.

Note: Contact Selecon technical support if a unit is locked and the PIN code is lost for instructions on how to reset luminaire.

Note: If the Fixture is locked when it is powered down the fixture will remain in the locked state when powered up.

Locking Fixture

To lock the fixture:

- Step 1. At Main Menu, press [MENU] and scroll to **Lock Fixture**. Note, default PIN is "0000" (four zeros).
- Step 2. Press [OK].
- Step 3. Enter four-digit, user-selectable, PIN code.
- Step 4. Use [LEFT ARROW] or [RIGHT ARROW] keys to highlight "YES", press [OK] or [ESC] twice to cancel action.
- Step 5. Fixture is now locked if locking process was not canceled as described in previous step.

Note: When the Fixture is Locked only the [ESC]/[MENU] key is functional. Pressing this key will display a request for a password. When a valid PIN code is entered the fixture is unlocked.

5. Presets

Presets are Color Mixes that are stored in the Fixture, they can be recalled to reproduce a specific output from the fixture. Presets are made up of a Color Mix; Red, Green, Blue, and White. They also have Intensity associated with them.

Presets can be recalled via the User interface or by a DMX channel, when under DMX control. The Preset's Intensity is applied if the User Interface is used; if DMX, the DMX Intensity channel is used for Intensity.

If the fixture is locked, Presets cannot be changed at the menu.

- Locked Presets are factory Calibrated, and their Color Mix cannot be changed by the user. Their Intensity can be changed. Three Presets 5 through 25 are Locked.
- Preset 0, the "off" preset is also Locked to the OFF value.
- If the fixture is unlocked, User Presets can have their Color Mix and Intensity changed without restriction.

Note: If the Color Mix of a Factory Calibrated Preset is changed, by turning protection Off, an '*' is appended to the end of the Preset's Name to indicate that the Calibrated values have been changed.

Note: DMX will take priority over any menu selected preset.

Editing Preset Names

On the Edit Preset screen, the option is available to edit the name of a preset, via Screen button. However, the names of Presets 0, 2, 3, and 4 cannot be edited. Scratch Pad, preset 1, can be changed but retains its original functionality.

Use the [LEFT ARROW] and [RIGHT ARROW] keys to select the character to be changed and use the [UP ARROW] and [DOWN ARROW] keys to change that character. The Character Scroll order is A-Z, space, 0-9. If you are scrolling up the Alpha character displays as Upper Case; if you are scrolling down the Alpha character displays as Lower Case. Stop on the character you want, ignoring case, then press the opposite [UP ARROW] or [DOWN ARROW] key if you want to change the case. [OK] to save changes, [ESC] to cancel changes.

6. Settings

Table 2, "Settings Menu User-Settable Parameters," on page 22 shows the user-settable parameters available in the Settings menu section.

To edit a value on the Setting Screen, use the [UP ARROW] or [DOWN ARROW] keys to move the highlight to the settings value you wish to change. Press [OK] to begin editing that value. Use the [UP ARROW], [DOWN ARROW], [LEFT ARROW] or [RIGHT ARROW] keys to make changes to the value. Press [OK] when complete to save changes, or [ESC] to cancel changes to that value.

When done making changes on the Settings Screen press [ESC] to re-boot fixture and implement changes. Fixture will not re-boot if nothing was changed.

Table 2: Settings Menu User-Settable Parameters

<i>Parameter</i>	<i>Values</i>	<i>Default</i>	<i>Description</i>
General			
Fan	Full, Medium, or Quiet Mode	Quiet Mode	Sets the luminaire's output mode - Full Mode, Medium Mode, or Quiet Mode.
Power-Up	All presets	Warm White	Users can set what the default preset is when the unit is powered up. Factory default is Warm White.
Red Correct	No (off) / Yes (on)	No	Red Correct (Correction) is internal processing by the fixture that compensates for the output variations that occur in all red LEDs due to changes in temperature. This compensation is important if the colors of a fixture in a hot environment needs to appear similar to the colors of a fixture in a cooler environment. With red correction on, there will be a perceptible difference in output vs. red correction off.
Power Save	Enable / Disable	Enable	Power Save sets fixture in a low-power sleep mode.
Reset Hours	No, Yes	No	Resets luminaire's operational hours.
Set PIN	####	0 0 0 0 (four zeros)	A four-digit user-settable PIN code to lock the fixture.
Presets			
Protected	No, 5 - 25	5 - 25	Determines if the factory Presets' Color Mix is protected from changes.
Load Factory	No, Yes	No	Reload Factory Presets, Intensity changes will also be reloaded.
DMX			
Address	001 to 512	001	DMX512 address. Note, it can be set if displayed.
Map	8-bit, 16-bit, or 5-Chan	16-bit	Defines size/precision of DMX map. Color Mixing/Intensity in 16-bit provides higher resolution for precision control. 5-Chan provides minimal channel usage.
When no DMX	Off, Hold, Hold 10min, Hold 30min, Hold 1 hr, Hold 8hr, Power Up	Hold	If DMX is detected and then goes away, this defines what will happen to the output. At end of 8Hr hold Fixture goes to No Output setting.
Display			
Flip Display	No, Yes	No	Flips (inverts) Display and Keypad Arrows.
Adj Contrast	0 - 100%	50%	Use left or right arrow keys to adjust display contrast as desired.
Fixture			
Fixture ID	Shows Fixture Type - PLProfile4, Profile, Cyc, or Fresnel		Shows luminaire type.

Note: To Exit the Settings screen, use the [ESC] key. [ESC] and [OK] can be used to cancel or save changes to an individual parameter. However, once a parameter has been accepted, by pressing [OK] that change cannot be undone/ canceled by pressing the [ESC] key.

DMX CONTROL

This section contains information for operating the luminaire using DMX control in 16-Bit, 8-Bit, or 3-Channel (3-Chan) modes. For Menu options and detailed information, see "Settings" on page 21.

Note: These tables assume a DMX start address of 1. When a different starting address is used, this address becomes channel 1 function and other functions follow in sequence.

1. 16-Bit Mode

Table 3 provides DMX channel mapping of all DMX512 control values when the PLPROFILE4 MKII LED Luminaire is in 16-bit DMX512 mode (as set by the luminaire's menu system).

Table 3: PLPROFILE4 MKII LED Luminaire DMX Channel Mapping (16-Bit Mode)

DMX Channel	Parameter	Range DMX	Range%	Default - recommended console default values	Description
1	Intensity - High	0 - 65535	0 - 100%	0	16-bit control for Intensity of LED settings.
2	Intensity - Low				
3	Red - High Byte	0 - 65535	0 - 100%	0	16-bit control of Red LEDs from 0 to full.
4	Red - Low Byte				
5	Green - High Byte	0 - 65535	0 - 100%	0	16-bit control of Green LEDs from 0 to full.
6	Green - Low Byte				
7	Blue - High Byte	0 - 65535	0 - 100%	0	16-bit control of Blue LEDs from 0 to full.
8	Blue - Low Byte				
9	White - High Byte	0 - 65535	0 - 100%	0	16-bit control of White LEDs from 0 to full.
10	White - Low Byte				
11	Preset Color Selection	0 - 255	0 - 100%	0	Used to access presets stored in fixture firmware, such as CCT presets, defined gel presets, etc. No Preset Activated = DMX 0-3 (<i>default</i>) Color Preset 0 (Off) = DMX 4 - 7 Color Preset 1 (Scratch Pad) = DMX 8 - 11 Color Preset 2 (Warm White) = DMX 12 - 15 Color Preset 3 (Cool White) = DMX 16 - 19 Color Preset 4 (Daylight) = DMX 20 - 23 Color Preset 5 (Arc White) = DMX 24 - 27 Color Preset 6 (Red) = DMX 28 - 31 Color Preset 7 (Yellow) = DMX 32 - 35 Color Preset 8 (Daylight Blue) = DMX 36 - 39 Color Preset 9 (Magenta) = DMX 40 - 43 Color Preset 10 (Aqua) = DMX 44 - 47 Color Preset 11 (Medium Amber) = DMX 48 - 51 Color Preset 12 (Lavender) = DMX 52 - 55 Color Preset 13 (Blue) = DMX 56 - 59 Color Preset 14 (Light Pink) = DMX 60 - 63 Color Preset 15 (Green) = DMX 64 - 67 Color Preset 16 (Pink) = DMX 68 - 71 Color Preset 17 (Amber White) = DMX 72 - 75 Color Preset 18 (Dark Fuchsia) = DMX 76 - 79 Color Preset 19 (Light Amber) = DMX 80 - 83 Color Preset 20 (Steel Blue) = DMX 84 - 87 Color Preset 21 (Lt Green/Blue) = DMX 88 - 91 Color Preset 22 (Orange) = DMX 92 - 95 Color Preset 23 (Medium Pink) = DMX 96 - 99 Color Preset 24 (Cyan) = DMX 100 - 103 Color Preset 25 (Purple) = DMX 104 - 107 Color Preset 26 (Custom) = DMX 108 - 111 Color Preset 27 (Custom) = DMX 112 - 115 Color Preset 28 (Custom) = DMX 116 - 119 Color Preset 29 (Custom) = DMX 120 - 123 Color Preset 30 (Custom) = DMX 124 - 127 Color Preset 31 (Custom) = DMX 128 - 131 No Preset Activated = DMX 253 - 255

Table 3: PLPROFILE4 MKII LED Luminaire DMX Channel Mapping (16-Bit Mode)

12	<i>Not used (for future use)</i>				
13	Intensity Time	0 - 255	0 - 100%	255	Allows for luminaire timing of intensity. Profile should default to DMX 255 for smoothest console fade times. Refer to " PLPROFILE4 MKII LED Luminaire DMX Timing Channel Detail " on page 27 for more information on timing values.
14	Color Time	0 - 255	0 - 100%	255	Allows for luminaire timing of LEDs. Profile should default to DMX 255 for smoothest console fade times. Refer to " PLPROFILE4 MKII LED Luminaire DMX Timing Channel Detail " on page 27 for more information on timing values.
15	Control	0 - 255	0 - 100%	0	<p>Used to set different modes, parameters, and functions of the luminaire. Set control channel value for desired action. Hold value for at least 3 seconds. Set control channel value to 0 without any scaling.</p> <p>Default Setting on Console = DMX 0 Display On/Off = DMX 3 - 4 Reset All Settings to Defaults* = DMX 5 - 7 Quiet Mode* = DMX 8 - 10 Studio Mode = DMX 11 - 13 Normal Mode = DMX 14 - 15 Preset 1 Store = DMX 20 - 21 Preset 2 Store (Intensity Only) = DMX 22 - 23 Preset 3 Store (Intensity Only) = DMX 24 - 25 Preset 4 Store (Intensity Only) = DMX 26 - 27 Preset 5 Store = DMX 28 - 29 Preset 6 Store = DMX 30 - 31 Preset 7 Store = DMX 32 - 33 Preset 8 Store = DMX 34 - 35 Preset 9 Store = DMX 36 - 37 Preset 10 Store = DMX 38 - 39 Preset 11 Store = DMX 40 - 41 Preset 12 Store = DMX 42 - 43 Preset 13 Store = DMX 44 - 45 Preset 14 Store = DMX 46 - 47 Preset 15 Store = DMX 48 - 49 Preset 16 Store = DMX 50 - 51 Preset 17 Store = DMX 52 - 53 Preset 18 Store = DMX 54 - 55 Preset 19 Store = DMX 56 - 57 Preset 20 Store = DMX 58 - 59 Preset 21 Store = DMX 60 - 61 Preset 22 Store = DMX 62 - 63 Preset 23 Store = DMX 64 - 65 Preset 24 Store = DMX 66 - 67 Preset 25 Store = DMX 68 - 69 Preset 26 Store = DMX 70 - 71 Preset 27 Store = DMX 72 - 73 Preset 28 Store = DMX 74 - 75 Preset 29 Store = DMX 76 - 77 Preset 30 Store = DMX 78 - 79 Preset 31 Store = DMX 80 - 81 Preset 32 Store = DMX 82 - 83</p> <p>Color Normalization ON * = DMX 100 - 103 Color Normalization OFF = DMX 104 - 107 Fixture Reset = DMX 108 - 112 Red Correction ON = DMX 113 - 115 Red Correction OFF * = DMX 116 - 118 Power Save ENABLE = DMX 119 - 121 Power Save Disable (Wake) = DMX 122 - 124</p> <p>* - Denotes default settings when performing control channel values 5 - 7.</p>

2. 8-Bit Mode

Table 2-1 provides DMX channel mapping of all DMX512 control values when the PLPROFILE4 MKII LED Luminaire is in 8-bit DMX512 mode (as set by the luminaire's menu system).

Table 2-1: PLPROFILE4 MKII LED Luminaire DMX Channel Mapping (8-Bit Mode)

DMX Channel	Parameter	Range DMX	Range%	Default - recommended console default values	Description
1	Intensity	0 - 255	0 - 100%	0	8-bit control for Intensity of LED settings.
2	Red	0 - 255	0 - 100%	0	8-bit control of Red LEDs from 0 to full.
3	Green	0 - 255	0 - 100%	0	8-bit control of Green LEDs from 0 to full.
4	Blue	0 - 255	0 - 100%	0	8-bit control of Blue LEDs from 0 to full.
5	White	0 - 255	0 - 100%	0	8-bit control of White LEDs from 0 to full.
6	Preset Color Selection	0 - 255	0 - 100%	0	Used to access presets stored in fixture firmware, such as CCT presets, defined gel presets, etc. No Preset Activated = DMX 0-3 (<i>default</i>) Color Preset 0 (Off) = DMX 4 - 7 Color Preset 1 (Scratch Pad) = DMX 8 - 11 Color Preset 2 (Warm White) = DMX 12 - 15 Color Preset 3 (Cool White) = DMX 16 - 19 Color Preset 4 (Daylight) = DMX 20 - 23 Color Preset 5 (Arc White) = DMX 24 - 27 Color Preset 6 (Red) = DMX 28 - 31 Color Preset 7 (Yellow) = DMX 32 - 35 Color Preset 8 (Daylight Blue) = DMX 36 - 39 Color Preset 9 (Magenta) = DMX 40 - 43 Color Preset 10 (Aqua) = DMX 44 - 47 Color Preset 11 (Medium Amber) = DMX 48 - 51 Color Preset 12 (Lavender) = DMX 52 - 55 Color Preset 13 (Blue) = DMX 56 - 59 Color Preset 14 (Light Pink) = DMX 60 - 63 Color Preset 15 (Green) = DMX 64 - 67 Color Preset 16 (Pink) = DMX 68 - 71 Color Preset 17 (Amber White) = DMX 72 - 75 Color Preset 18 (Dark Fuchsia) = DMX 76 - 79 Color Preset 19 (Light Amber) = DMX 80 - 83 Color Preset 20 (Steel Blue) = DMX 84 - 87 Color Preset 21 (Lt Green/Blue) = DMX 88 - 91 Color Preset 22 (Orange) = DMX 92 - 95 Color Preset 23 (Medium Pink) = DMX 96 - 99 Color Preset 24 (Cyan) = DMX 100 - 103 Color Preset 25 (Purple) = DMX 104 - 107 Color Preset 26 (Custom) = DMX 108 - 111 Color Preset 27 (Custom) = DMX 112 - 115 Color Preset 28 (Custom) = DMX 116 - 119 Color Preset 29 (Custom) = DMX 120 - 123 Color Preset 30 (Custom) = DMX 124 - 127 Color Preset 31 (Custom) = DMX 128 - 131 No Preset Activated = DMX 253 - 255
7	<i>Not used (for future use)</i>				
8	Timing	0 - 255	0 - 100%	255	Allows for timing control of both the intensity and color parameters. Channel should default to 255 for smoothest actions using console and/or manual fades. Refer to " PLPROFILE4 MKII LED Luminaire DMX Timing Channel Detail " on page 27 for more information.

Table 2-1: PLPROFILE4 MKII LED Luminaire DMX Channel Mapping (8-Bit Mode)

9	Control	0 - 255	0 - 100%	0	<p>Used to set different modes, parameters, and functions of the luminaire. Set control channel value for desired action. Hold value for at least 3 seconds. Set control channel value to 0 without any scaling.</p> <p>Default Setting on Console = DMX 0 Display On/Off = DMX 3 - 4 Reset All Settings to Defaults* = DMX 5 - 7 Quiet Mode* = DMX 8 - 10 Studio Mode = DMX 11 - 13 Normal Mode = DMX 14 - 15 Preset 1 Store = DMX 20 - 21 Preset 2 Store (Intensity Only) = DMX 22 - 23 Preset 3 Store (Intensity Only) = DMX 24 - 25 Preset 4 Store (Intensity Only) = DMX 26 - 27 Preset 5 Store = DMX 28 - 29 Preset 6 Store = DMX 30 - 31 Preset 7 Store = DMX 32 - 33 Preset 8 Store = DMX 34 - 35 Preset 9 Store = DMX 36 - 37 Preset 10 Store = DMX 38 - 39 Preset 11 Store = DMX 40 - 41 Preset 12 Store = DMX 42 - 43 Preset 13 Store = DMX 44 - 45 Preset 14 Store = DMX 46 - 47 Preset 15 Store = DMX 48 - 49 Preset 16 Store = DMX 50 - 51 Preset 17 Store = DMX 52 - 53 Preset 18 Store = DMX 54 - 55 Preset 19 Store = DMX 56 - 57 Preset 20 Store = DMX 58 - 59 Preset 21 Store = DMX 60 - 61 Preset 22 Store = DMX 62 - 63 Preset 23 Store = DMX 64 - 65 Preset 24 Store = DMX 66 - 67 Preset 25 Store = DMX 68 - 69 Preset 26 Store = DMX 70 - 71 Preset 27 Store = DMX 72 - 73 Preset 28 Store = DMX 74 - 75 Preset 29 Store = DMX 76 - 77 Preset 30 Store = DMX 78 - 79 Preset 31 Store = DMX 80 - 81 Preset 32 Store = DMX 82 - 83</p> <p>Color Normalization ON * = DMX 100 - 103 Color Normalization OFF = DMX 104 - 107 Fixture Reset = DMX 108 - 112 Red Correction ON = DMX 113 - 115 Red Correction OFF * = DMX 116 - 118 Power Save ENABLE = DMX 119 - 121 Power Save Disable (Wake) = DMX 122 - 124</p> <p>* - Denotes default settings when performing control channel values 5 - 7.</p>
---	---------	---------	----------	---	-----------------------------------------------------------------------------------------------------------------------------------------------------------------------------------------------------------------------------------------------------------------------------------------------------------------------------------------------------------------------------------------------------------------------------------------------------------------------------------------------------------------------------------------------------------------------------------------------------------------------------------------------------------------------------------------------------------------------------------------------------------------------------------------------------------------------------------------------------------------------------------------------------------------------------------------------------------------------------------------------------------------------------------------------------------------------------------------------------------------------------------------------------------------------------------------------------------------------------------------------------------------------------------------------------------------------------------------------------------------------------------------------------------------------------------------------------------------------------------------------------------------------------------------------------------------------------------------------------------------------------------------------------------------------------------------------------------------------------------------------------------------------------------------------------------------------------------------------------------------------------------------------------------------------------------------------------------------------------------------------------------------------------------------------------------------------------------------------------------------------------------------------------------------------------------------------------------------------------------------------------------------------------------------------------------------------------------------------------------------------------------------------------------------------------------------------------------------------------------------------------------------------------------------------------------------------------------------------------------------------------------------------------------------------------------------------------------------------------------------------------------------------

3. DMX 5-Channel (5-Chan) Mode

Table 2-2 provides DMX channel mapping of all DMX512 control values when the PLPROFILE4 MKII LED Luminaire is in 5-Channel (5-Chan) DMX512 mode (as set by the luminaire's menu system).

Note: This mode is for the simplest control of the luminaire's LEDs and intensity for limited control consoles and controllers.

Table 2-2: PLPROFILE4 MKII LED Luminaire DMX Channel Mapping (5-Chan Mode)

DMX Channel	Parameter	Range DMX	Range%	Default - recommended console default values	Description
1	Intensity	0 - 255	0 - 100%	0	8-bit control for Intensity of LED settings.
2	Red	0 - 255	0 - 100%	0	8-bit control Red LEDs.
3	Green	0 - 255	0 - 100%	0	8-bit control Green LEDs.
4	Blue	0 - 255	0 - 100%	0	8-bit control Blue LEDs.
5	White	0 - 255	0 - 100%	0	8-bit control White LEDs.

4. PLPROFILE4 MKII LED Luminaire DMX Timing Channel Detail

Timing channel control improves the timed moves of certain groups of parameters. The PLPROFILE4 MKII LED Luminaire provides two timing channels in 16-bit mode (one for intensity time and one for color time) and one timing channel in 8-bit (color and intensity timing combined). The luminaire uses its timing channel value to calculate a smooth continuous operation for a given time and transition.

Guidelines:

- Timing channels support time values from zero to 169 seconds.
- To use a timing channel instead of console timing, it is recommended to set the timing channel to the desired value and set cue and/or console cue fade time to zero. A combination of time controls can produce unexpected results.
- The default value setting in the profile should be 255 (proportional control) to allow smooth operation when using console timing.
- The timing channel data should change as a snap. A zero value will give the fastest operation, however, without any smoothing this can appear "steppy" in console timed moves.

Table 3: PLPROFILE4 MKII LED Luminaire Timing Channel Detail

% Value	DMX	= Seconds
	0	0 (Full Speed)
	1	0.2
	2	0.4
1	3	0.6
	4	0.8
2	5	1
	6	1.2
	7	1.4
3	8	1.6
	9	1.8
4	10	2
	11	2.2

% Value	DMX	= Seconds
	12	2.4
5	13	2.6
	14	2.8
6	15	3
	16	3.2
	17	3.4
7	18	3.6
	19	3.8
8	20	4
	21	4.2
	22	4.4
9	23	4.6
	24	4.8
10	25	5
	26	5.2
	27	5.4
11	28	5.6
	29	5.8
	30	6
12	31	6.2
	32	6.4
13	33	6.6
	34	6.8
	35	7.0
14	36	7.2
	37	7.4
15	38	7.6
	39	7.8
	40	8
16	41	8.2
	42	8.4
17	43	8.6
	44	8.8
	45	9
18	46	9.2
	47	9.4
19	48	9.6
	49	9.8
	50	10
20	51	10.2
	52	10.4
	53	10.6
21	54	10.8
	55	11
22	56	11.2
	57	11.4
	58	11.6
23	59	11.8
	60	12
24	61	12.2

% Value	DMX	= Seconds
	62	12.4
	63	12.6
25	64	12.8
	65	13
26	66	13.2
	67	13.4
	68	13.6
27	69	13.8
	70	14
28	71	14.2
	72	14.4
	73	14.6
29	74	14.8
	75	15
30	76	15.2
	77	15.4
	78	15.6
31	79	15.8
	80	16
	81	16.2
32	82	16.4
	83	16.6
33	84	16.8
	85	17
	86	17.2
34	87	17.4
	88	17.6
35	89	17.8
	90	18
	91	18.2
36	92	18.4
	93	18.6
37	94	18.8
	95	19
	96	19.2
38	97	19.4
	98	19.6
39	99	19.8
	100	20
	101	21
40	102	22
	103	23
	104	24
41	105	25
	106	26
42	107	27
	108	28
	109	29
43	110	30
	111	31
44	112	32
	113	33
	114	34
45	115	35

% Value	DMX	= Seconds
	116	36
46	117	37
	118	38
	119	39
47	120	40
	121	41
48	122	42
	123	43
	124	44
49	125	45
	126	46
	127	47
50	128	48
	129	49
51	130	50
	131	51
	132	52
52	133	53
	134	54
53	135	55
	136	56
	137	57
54	138	58
	139	59
55	140	60
	141	61
	142	62
56	143	63
	144	64
57	145	65
	146	66
	147	67
58	148	68
	149	69
59	150	70
	151	71
	152	72
60	153	73
	154	74
	155	75
61	156	76
	157	77
62	158	78
	159	79
	160	80
63	161	81
	162	82
64	163	83
	164	84
	165	85
65	166	86
	167	87
66	168	88
	169	89

% Value	DMX	= Seconds
	170	90
67	171	91
	172	92
68	173	93
	174	94
	175	95
69	176	96
	177	97
	178	98
70	179	99
	180	100
71	181	101
	182	102
	183	103
72	184	104
	185	105
73	186	106
	187	107
	188	108
74	189	109
	190	110
75	191	111
	192	112
	193	113
76	194	114
	195	115
77	196	116
	197	117
	198	118
78	199	119
	200	120
79	201	121
	202	122
	203	123
80	204	124
	205	125
81	206	126
	207	127
	208	128
82	209	129
	210	130
	211	131
83	212	132
	213	133
84	214	134
	215	135
	216	136
85	217	137
	218	138
86	219	139
	220	140
	221	141
87	222	142
	223	143

% Value	DMX	= Seconds
88	224	144
	225	145
	226	146
89	227	147
	228	148
	229	149
90	230	150
	231	151
91	232	152
	233	153
	234	154
92	235	155
	236	156
93	237	157
	238	158
	239	159
94	240	160
	241	161
95	242	162
	243	163
	244	164
96	245	165
	246	166
97	247	167
	248	168
	249	169
98	250*	60mS
	251*	80mS
99	252*	100mS
	253*	120mS
	254*	140mS
100	255* (default)	160mS

Note: * DMX values 250 to 255 provide smoothing when using console fade timing. DMX value 255 (recommended default) will provide the smoothest timing.

5. PLPROFILE4 MKII LED Luminaire RDM Parameter IDs

The following tables outline and describe all the RDM parameters IDs associated with PLPROFILE4 MKII LED Luminaires.

- Table 4, “PLPROFILE4 MKII LED Luminaire RDM Product Parameters IDs”
- Table 5, “PLPROFILE4 MKII LED Luminaire RDM UID”
- Table 6, “PLPROFILE4 MKII LED Luminaire RDM Parameters IDs”
- Table 7, “PLPROFILE4 MKII LED Luminaire RDM Manufacturer Status IDs,” on page 35

Table 4: PLPROFILE4 MKII LED Luminaire RDM Product Parameters IDs

Model ID	Manufacturer	Model Description	Product Category
50 53 00 8e	Selecon	PL PROFILE4 MK2	0X0101

Table 5: PLPROFILE4 MKII LED Luminaire RDM UID

UID					
MSB of ESTA 50H	LSB of ESTA 41H	1st of Unique Seq.	2nd of Unique Seq.	3rd of Unique Seq.	4th of Unique Seq.

Table 6: PLPROFILE4 MKII LED Luminaire RDM Parameters IDs

Get Allowed	Set Allowed	RDM Parameter IDs	Value	Comment	Implemented
<i>Category - Network Management</i>					
		DISC_UNIQUE_BRANCH	0x0001		■
		DISC_MUTE	0x0002		■
		DISC_UN_MUTE	0x0003		■
■		PROXIED_DEVICES	0x0010		
■		PROXIED_DEVICES_COUNT	0x0011		
■	■	COMMS_STATUS	0x0015		
<i>Category - Status Collection</i>					
■		QUEUED_MESSAGE	0x0020		■
■		STATUS_MESSAGES	0x0030		■
■		STATUS_ID_DESCRIPTION	0x0031		■
	■	CLEAR_STATUS_ID	0x0032		■
■	■	SUB_DEVICE_STATUS_REPORT_THRESHOLD	0x0033		
<i>Category - RDM Information</i>					
■		SUPPORTED_PARAMETERS	0x0050	Support required only if supporting Parameters beyond the minimum required set.	■
■		PARAMETER_DESCRIPTION	0x0051	Support required for Manufacturer-Specific PIDs exposed in SUPPORTED_PARAMETERS message.	■
<i>Category - Product Information</i>					
■		DEVICE_INFO	0x0060		■
■		PRODUCT_DETAIL_ID_LIST	0x0070		
■		DEVICE_MODEL_DESCRIPTION	0x0080		■

Table 6: PLPROFILE4 MKII LED Luminaire RDM Parameters IDs

Get Allowed	Set Allowed	RDM Parameter IDs	Value	Comment	Implemented
■		MANUFACTURER_LABEL	0x0081		■
■	■	DEVICE_LABEL	0x0082		■
■	■	FACTORY_DEFAULTS	0x0090		■
■		LANGUAGE_CAPABILITIES	0x00A0		
■	■	LANGUAGE	0x00B0		
■		SOFTWARE_VERSION_LABEL	0x00C0		■
■		BOOT_SOFTWARE_VERSION_ID	0x00C1		
■		BOOT_SOFTWARE_VERSION_LABEL	0x00C2		
Category - DMX512 Setup					
■	■	DMX_PERSONALITY	0x00E0		■
■		DMX_PERSONALITY_DESCRIPTION	0x00E1		■
■	■	DMX_START_ADDRESS	0x00F0	<i>Required if device uses a DMX Slot</i>	■
■		SLOT_INFO	0x0120		■
■		SLOT_DESCRIPTION	0x0121		■
■		DEFAULT_SLOT_VALUE	0x0122		
Category - Sensors 0x02xx					
■		SENSOR_DEFINITION	0x0200		■
■	■	SENSOR_VALUE	0x0201		■
	■	RECORD_SENSORS	0x0202		
Category - Dimmer Settings 0x03xx - FUTURE USE					
Category - Power / Lamp Settings 0x04xx					
■	■	DEVICE_HOURS	0x0400		
■	■	LAMP_HOURS	0x0401		
■	■	LAMP_STRIKES	0x0402		
■	■	LAMP_STATE	0x0403		
■	■	LAMP_ON_MODE	0x0404		
■	■	DEVICE_POWER_CYCLES	0x0405		
Category - Display Settings 0x05xx					
■	■	DISPLAY_INVERT	0x0500		■
■	■	DISPLAY_LEVEL	0x0501		
Category - Configuration 0x06xx					
■	■	PAN_INVERT	0x0600		
■	■	TILT_INVERT	0x0601		
■	■	PAN_TILT_SWAP	0x0602		
■	■	REAL_TIME_CLOCK	0x0603		
Category - Control 0x10xx					
■	■	IDENTIFY_DEVICE	0x1000		■
	■	RESET_DEVICE	0x1001		■
■	■	POWER_STATE	0x1010		
■	■	PERFORM_SELFTEST	0x1020		
■		SELF_TEST_DESCRIPTION	0x1021		
	■	CAPTURE_PRESET	0x1030		

Table 6: PLPROFILE4 MKII LED Luminaire RDM Parameters IDs

Get Allowed	Set Allowed	RDM Parameter IDs	Value	Comment	Implemented
■	■	PRESET_PLAYBACK	0x1031		

Table 7: PLPROFILE4 MKII LED Luminaire RDM Manufacturer Status IDs

Manufacturer Specific messages are in the range of 0x8000 - 0xFFDF. Each Manufacturer-specific Status ID shall have a unique meaning, which shall be consistent across all products having a given Manufacturer ID. See Table B-2, ANSI E1.20-2010.				
Status ID Message	Value	Data Value 1	Data Value 2	Status ID Description
8100H		00H	00H	ALL OK

CLEANING AND CARE



WARNING! All cleaning should be performed with power completely removed from the luminaire. Never remove protective covers when luminaire is powered. Wear appropriate protective eye wear and gloves when cleaning the fixture. All service and maintenance, other than described herein, should be performed by a qualified technician or Authorized Service Center.

1. Special Cleaning and Care Instructions

Being a solid-state fixture, and unlike most fixtures, the PLPROFILE4 MKII LED Luminaire requires very little routine maintenance by the user. This section covers portions of the luminaire that can be removed for cleaning.

The PLPROFILE4 MKII LED Luminaire requires special care when it comes to cleaning front lens assembly. Additional care needs to be taken with the plastic components because they are much easier to scratch or damage than glass.

The following is a list of cleaning materials required to care for your PLPROFILE4 MKII LED Luminaire:

- Lint free lens tissue
- Lint or powder free gloves
- Reagent grade isopropyl alcohol*
- A mild soap solution.

Note: *Reagent grade isopropyl alcohol is good to use on the PLPROFILE4 MKII LED Luminaire plastic optics with anti-reflection coatings.

If the lens is still dirty after using isopropyl alcohol, for instance if fingerprints or oil is just redistributed and not cleaned off the optic, then a mild soap and water solution can be used to gently wash the lens. Repeat the cleaning with isopropyl alcohol to eliminate streaks and soap residue.



WARNING! Under no circumstances should ammonia-based cleaners, acetone, or other harsh solvents be used on or near the PLPROFILE4 MKII LED Luminaire. These types of cleaners or solvents can permanently damage the optics or housings of the fixture.

If you have any questions regarding the use or care of your PLPROFILE4 MKII LED Luminaire, please contact Selecon technical support or your local Authorized Dealer.

2. Lens Cleaning

Front Lens (Exterior)

To clean the exterior front lens:

- Step 1. Turn off luminaire and allow to cool completely.
- Step 2. Apply a small amount of reagent grade isopropyl alcohol to lint-free lens tissue.
- Step 3. Wipe all debris, dirt, fingerprints, etc. from lens.
- Step 4. Using a second lint-free lens tissue, wipe off any alcohol residue.

Front Lens (Interior)

To clean the interior of front lens:

- Step 1. Turn off luminaire and allow to cool completely.
- Step 2. Place luminaire on a flat, clean surface. Be careful not to scratch or damage luminaire.

Note: A long 3 mm Allen hex key is required to perform this procedure.

- Step 3. Remove lens tube assembly from luminaire. Refer to "[Lens Tube Removal and Installation](#)" on page 12 for instructions.
- Step 4. As shown in **Figure 11**, using 3 mm Allen hex key, completely remove two Allen head screws securing cover.

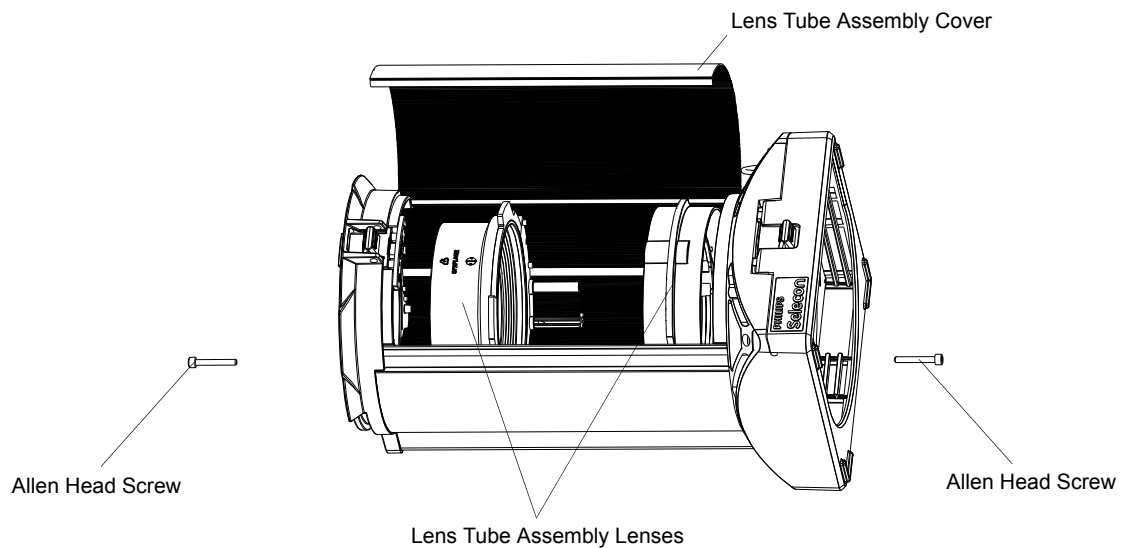
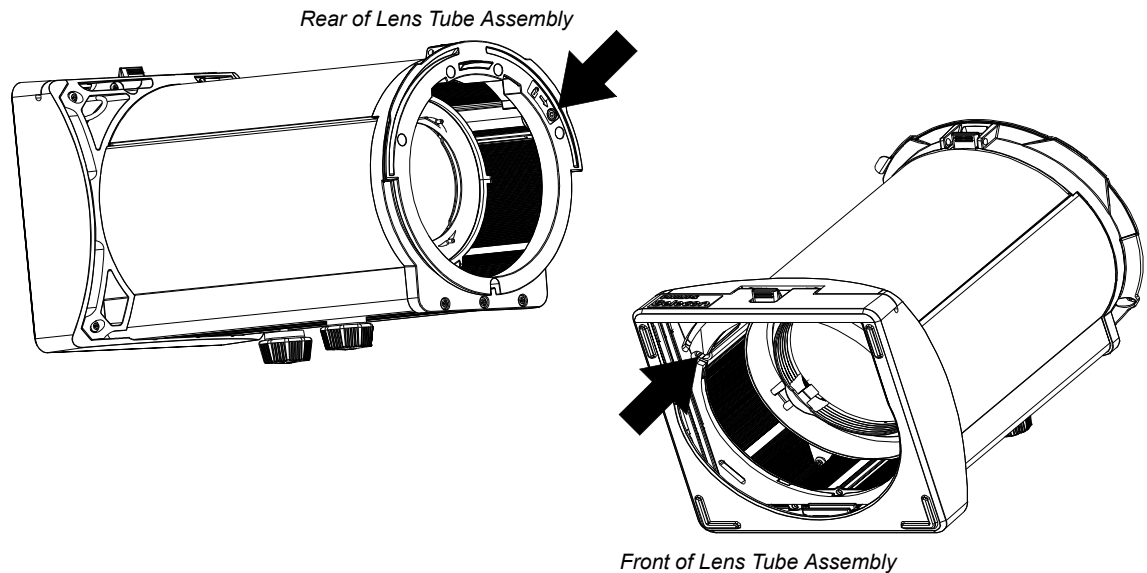


Figure 11: lens Tube Assembly - Lens Cleaning

- Step 5. Swing open lens tube assembly cover. Move lenses, by their knob, back or forth to have access to clean them.
- Step 6. Clean interior side of front lens by applying a small amount of reagent grade isopropyl alcohol to lint-free lens tissue.
- Step 7. Wipe all debris, dirt, fingerprints, etc. from lens.
- Step 8. Using a second lint-free lens tissue, wipe off any alcohol residue.

Step 9. After cleaning is complete, close cover and reinstall two Allen Head screws. Hand-tighten screws only DO NOT OVERTIGHTEN!

Step 10. Reinstall lens tube assembly onto light engine.

3. Service and Maintenance

For all other service and maintenance issues, please contact your local Selecon office or an Authorized Service Center.



WARNING! Disassembly (other than as described herein), alterations, unauthorized service, etc. will void the product warranty. Contact your local Selecon office or an Authorized Service Center for technical support and service.

TROUBLESHOOTING

1. Troubleshooting Guide

The chart below provides possible causes and remedies for various error messages and/or symptoms.



WARNING! Any service and maintenance (including troubleshooting), other than described herein should be performed by an Authorized Selecon Dealer or Service Center.

Description	Symptom	Possible Cause/Remedy
No light output.	Fixture will not produce or output light	Unit is set to Preset Off... Make sure unit is set to proper Preset. DMX command to 0 intensity... Adjust intensity to higher level.
No power at luminaire.	Luminaire does not power up	Circuit not energized... verify circuit breaker is turned on. Not plugged in... ensure A/C cable is connected to power source. Power cable wired incorrectly... verify power cable and connector are wired correctly. See " Connecting Power " on page 9 for more information.
DMX Data Control.	Fixture will not respond to DMX commands.	Not detecting DMX data... Disconnect and reconnect DMX input cable. Unit is not set to be controlled by DMX - check menu settings. Check all DMX connections (at control source and luminaire). DMX data cable not wired correctly or has a broken conductor... check DMX data cable for proper wiring. See " Connecting to the DMX512 Network " on page 9 for more information.
LED (light) is getting dimmer.	Fixture appears not to be operating at full brightness.	Luminaire has detected an over temperature condition... The luminaire will reduce power to its LEDs if it senses that the LEDs are operating over the specified temperature. LED temperature is read and recorded through a thermistor imbedded in the LED chip. Fan is not operating. Listen for fan operation or adjust settings to increase fan speed. On luminaires with a display check system status menu for status of fans and LED operation.
Local programming.	Unit will not allow local programming or changes.	Password protection is on (locked)... Input proper password to allow local programming and/or adjustments. Unit is controlled by DMX... Disconnect input cables to check issue.

TECHNICAL SPECIFICATIONS

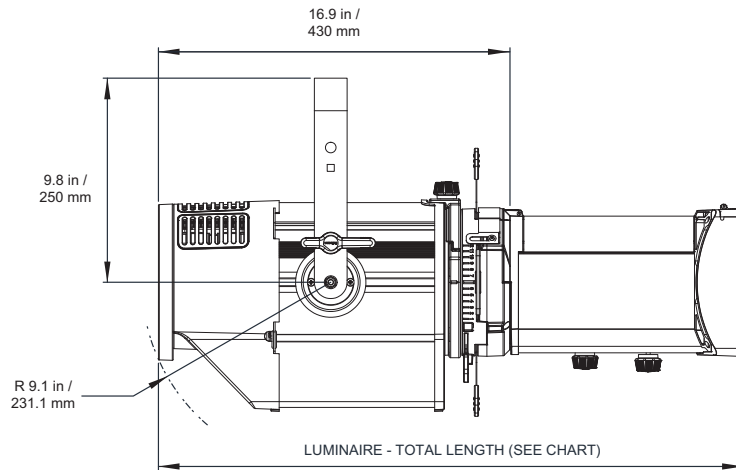
1. PLPROFILE4 MKII LED Luminaire Common Specifications

Source:	4 Each, True RGBW 120 Watt LED chip
Color Temperature:	2300 - 9970K (user adjustable)
Input Voltage:	100V to 240V (+/- 10%, auto-ranging)
Current:	5.8 Amps (100VAC) / 2.4 Amps (240VAC)
Max. Thru AC Current:	Up to 20 Amps (at thru AC connector)
Frequency:	50/60Hz
Control:	On-Board Menu / DMX512A
DMX512 Channels:	15 Channels (16-Bit Mode) 9 Channels (8-Bit Mode) 5 Channels (3-Channel Mode)
Ambient Temperature:	0 to 40 degrees C (32 to 104 degrees F)
Humidity:	5%-95% Non condensing
Cooling:	Forced-Air
Weight:	28.2 lbs / 12.8 kg (luminaire engine/shutter/yoke assemblies only)
Compliance:	ETL / cETL Listed, C-Tick, and CE Marked

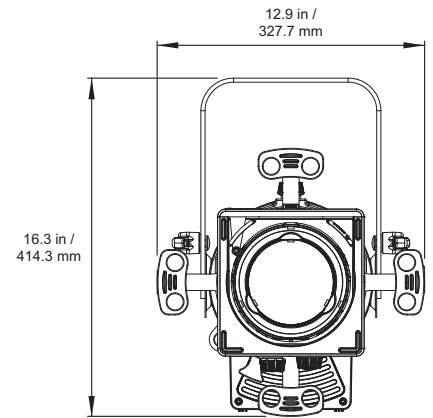
Note: Common model specifications shown. For specific model specifications, features, and accessories, refer to the product specification sheet or visit the Selecon web site at www.seleconlight.com for more details.

2. PLPROFILE4 MKII LED Luminaire Dimensions

Side View



Front View



Luminaire Dimensional Chart

	Angle (°)	Lens Tube Length		Luminaire Total Length	
		Metric (mm)	Imperial (in)	Metric (mm)	Imperial (in)
Fixed	14	400	15.7	835	32.9
	19	310	12.2	745	29.3
	26	270	10.6	705	27.7
	36	250	9.8	685	27.0
Zoom	50	200	7.9	635	25.0
	15-35	370	14.6	805	31.7
	25-50	280	11.0	715	28.1

Notes

TECHNICAL SUPPORT

GLOBAL 24HR TECHNICAL SUPPORT:

Call: +1 214 647 7880

entertainment.service@signify.com

NORTH AMERICA SUPPORT:

Call: 877-VARI-LITE (877-827-4583)

entertainment.service@signify.com

EUROPEAN CUSTOMER SERVICE CENTER:

Call: +31 (0) 543 542 531

entertainment.europe@signify.com

© 2023 Signify Holding. All rights reserved. All trademarks are owned by Signify Holding or their respective owners. The information provided herein is subject to change, without notice. Signify does not give any representation or warranty as to the accuracy or completeness of the information included herein and shall not be liable for any action in reliance thereon. The information presented in this document is not intended as any commercial offer and does not form part of any quotation or contract, unless otherwise agreed by Signify. Data subject to change.