

# SL-Bar-640 RGBW

## ▶ Photometric Data

Light source specifications

Optics: PMMA+ABS  
 Beam angle: 60 degree  
 Light distribution: symmetric direct illumination  
 CRI: up to 90

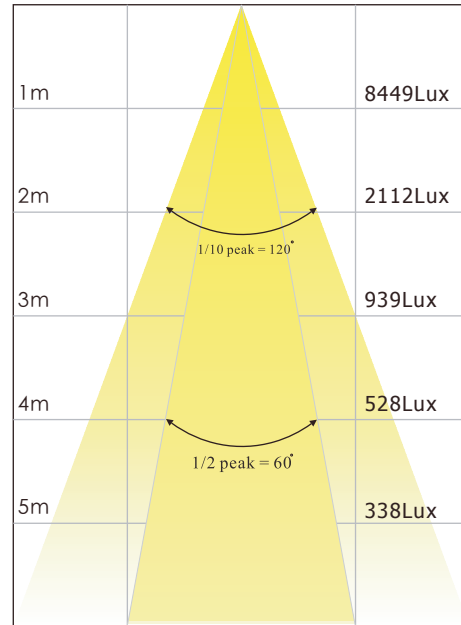
### Illuminance

DISTANCE	1m	2m	3m	5m
COLOR	Lux	Lux	Lux	Lux
Red	1342	335	149	54
Green	2523	631	280	101
Blue	381	95	42	15
6500K	3314	828	368	133
RGBW	8449	2112	939	338

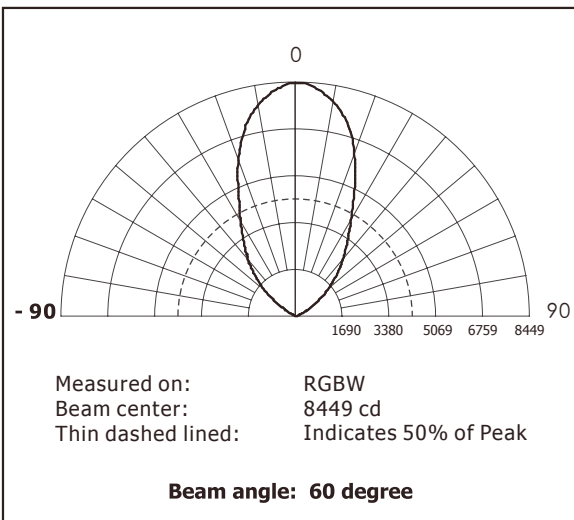
### Light output

COLOR	Total (lumens)	Power(watts)	Efficacy(lm/W)
Red	1703.7	81.5	20.9
Green	3246.8	81.6	39.8
Blue	484.6	64.6	7.5
6500K	4255.3	94.8	44.9
RGBW	10836.2	356.3	30.4

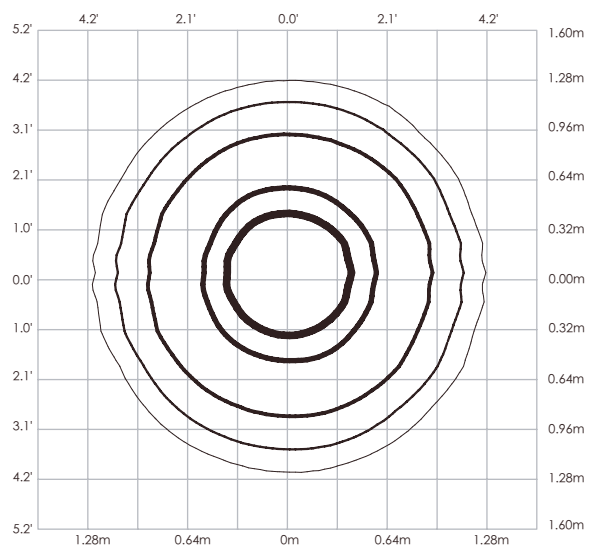
### Full intensity in RGBW



### Light distribution



### Isolux diagram



At 1m distance

- 3% 253.5 lx
- 5% 422.5 lx
- 10% 844.9 lx
- 30% 2534.7 lx
- 50% 4224.5 lx