

SL-Bar-660 RGBW

▶ Photometric Data

Light source specifications

Optics: PMMA+ABS
 Beam angle: 60 degree
 Light distribution: symmetric direct illumination
 CRI: up to 90

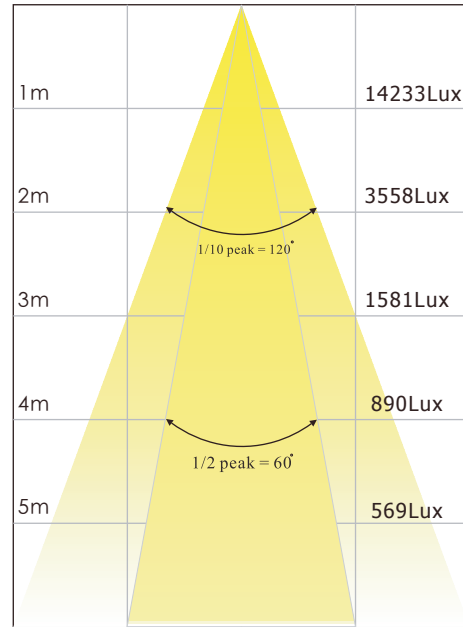
Illuminance

DISTANCE	1m	2m	3m	5m
COLOR	Lux	Lux	Lux	Lux
Red	2632	658	292	105
Green	4680	1170	520	187
Blue	526	132	58	21
6500K	5265	1316	585	211
RGBW	14233	3558	1581	569

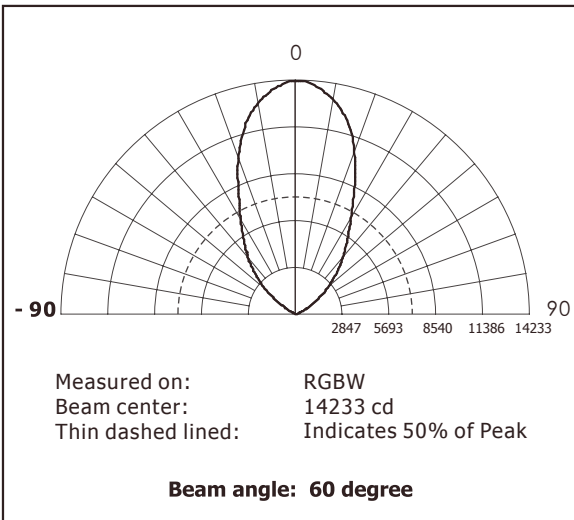
Light output

COLOR	Total (lumens)	Power(watts)	Efficacy(lm/W)
Red	3369.2	190.9	17.6
Green	5991.3	192.3	31.2
Blue	673.7	179.7	3.7
6500K	6739.5	194.6	34.6
RGBW	18219.2	802.1	22.7

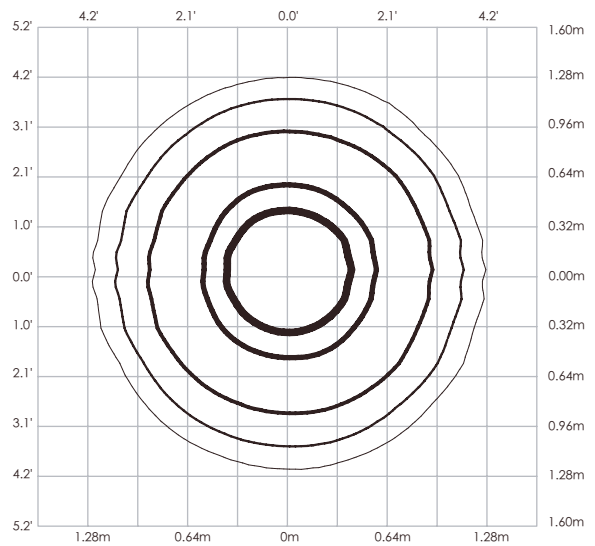
Full intensity in RGBW



Light distribution



Isolux diagram



At 1m distance

- 3% 427.1 lx
- 5% 711.7 lx
- 10% 1423.3 lx
- 30% 4269.9 lx
- 50% 7116.5 lx