

# Showline

## SL LEDSPOT 300



The SL LEDSPOT 300 is a compact high performance moving head luminaire with fast and quiet movement. The precision framing system is a unique feature for a small compact luminaire, making the SL LEDSPOT 300 an ideal solution for designers with challenging space requirements desiring total beam control.

The powerful fixed white LED engine delivers 11,500 lumens of output. Utilize the full flexibility of the CMY color mixing and fixed color options to produce saturated and pastel colors without compromised performance.

The large zoom angle range, precision indexing four framing shutter system, frost flag and iris enable full beam control. Shape, size, and soften the beam as required and heighten the impact of your designs.

With six rotating/indexable and nine fixed gobos from the Varilite Image Library and a rotating/indexable circular prism, the SL LEDSPOT 300 is ideal for creating dynamic and arresting visual effects.

# Showline

## SL LEDSPOT 300

### FEATURES

- CMY mixing and separate CTO color filter
- Fixed color wheel with five colors and one open slot
- Color system allows for split color mode and color scroll effects
- Rotating / Indexable gobo wheel with six interchangeable gobos and one open slot
- Fixed gobo wheel with nine gobos and one open slot
- Four framing shutters on separate planes and +/- 90 degree rotation
- Frost flag
- Iris with iris pulse macros
- Three facet circular rotating/indexable prism
- 10-45 degree beam angle range

### BENEFITS

- Performance moving light
- Precision framing system

# Showline

## SL LEDSPOT 300

### SOURCE

Type	6500K fixed white LED engine
Wattage	270W

### OPTICAL PERFORMANCE

	10° (narrow)		21° (mid)		45° (wide)	
Lumen output	10,593		11,261		11,500	
Lux beam mode @5m	0.9	17,120	1.86	4407	4.1	1050
Lux beam mode @10m	1.81	4,280	3.72	1102	8.2	263
Lux beam mode @15m	2.7	1,902	5.58	490	12.3	117
Lux beam mode @20m	3.62	1,070	7.44	275	16.4	66
Lux beam mode @25m	4.5	685	9.3	176	20.5	42
Color temperature	6500K					

### BEAM

Beam angle	10-45°
------------	--------

### POWER

Operating voltage	100-240VAC
Max wattage	420W

### DATA CONNECTIONS

DMX	Input / thru
5-pin XLR	Input / thru
RJ45	Input / thru
PowerCon TrueOne	Input / thru

### DATA PROTOCOLS

DMX (RDM)	DMX-512A(RDM)
-----------	---------------

### PHYSICALS

IP rating	IP20
Finish	Black
Construction	Metal frame, plastic covers

### ENVIRONMENT

	°C	°F
Operating temperature	-10-45	14-113°F

### DIMENSIONS

	mm	in
H x W x L	441 x 666 x 443	17.3 x 26.2 x 17.4

### WEIGHT

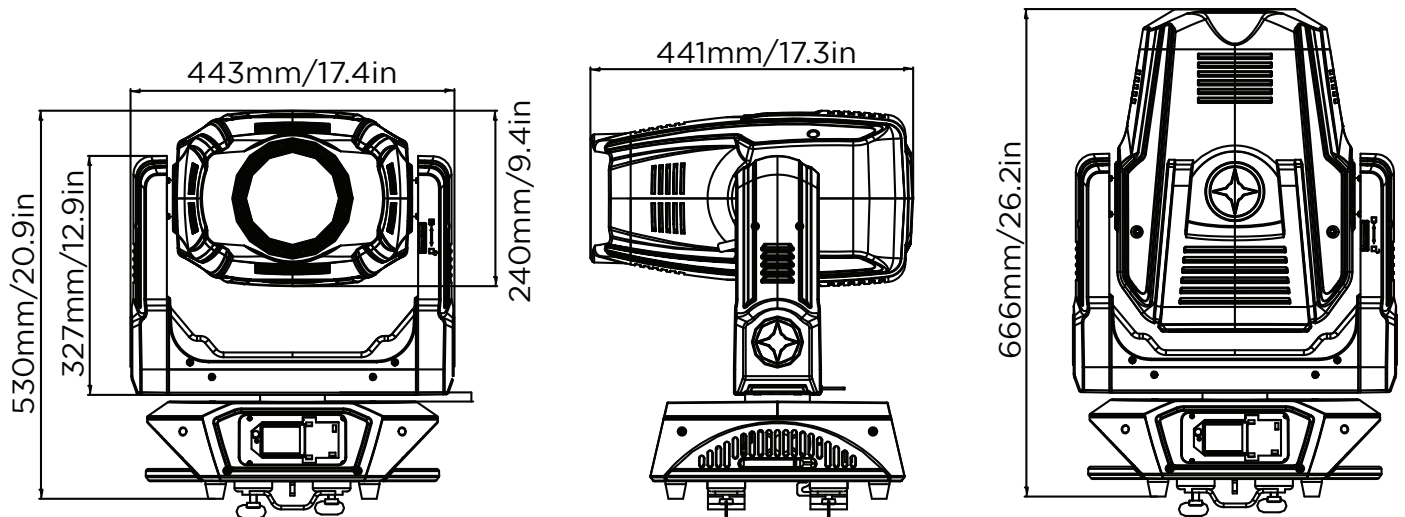
	kg	lb
Net weight	28	62
Packed weight	34	75

### WARRANTY & APPROBATION

Warranty	2 years
Approbations	CE, C-Tick/cETL, IP20

# Showline

## SL LEDSPOT 300



### PRODUCT NAME

SL LEDSPOT 300LED performance moving light luminaire IP20

### ORDER CODE

**26-095-0115-00**  
**SLEDSPOT300**

© 2018 Signify Holding. All rights reserved.

All trademarks are owned by Signify Holding or their respective owners. The information provided herein is subject to change, without notice. Signify does not give any representation or warranty as to the accuracy or completeness of the information included herein and shall not be liable for any action in reliance thereon. The information presented in this document is not intended as any commercial offer and does not form part of any quotation or contract, unless otherwise agreed by Signify. Data subject to change.

Ref: 26-095-0115-00-100-v00

[WWW.VARI-LITE.COM](http://WWW.VARI-LITE.COM)