

Showline

SL PAR 155 ZOOM



The SL PAR155 ZOOM is a die-cast aluminum LED Par can that utilizes nine homogenized RGBW LEDs to produce over 3200 lumens of output. The manual zoom provides a beam angle range from 80 to 400 and the split yoke bracket allows for easy hanging or floor mounting.

The rugged construction, internal power supply, and ease of use make the SL PAR 155 ZOOM a natural replacement for conventional PAR fixtures. Whether illuminating stages, buildings, clubs, landscapes or other entertainment and architectural elements, the SL PAR 155 ZOOM provides designers with the highest output and best color uniformity.

Simple daisy chaining of power and data, along with a split yoke bracket permit quick setup in any orientation.

Configuration is also made easy through use of the standard Showline LCD menu system.

Showline

SL PAR 155 ZOOM

FEATURES

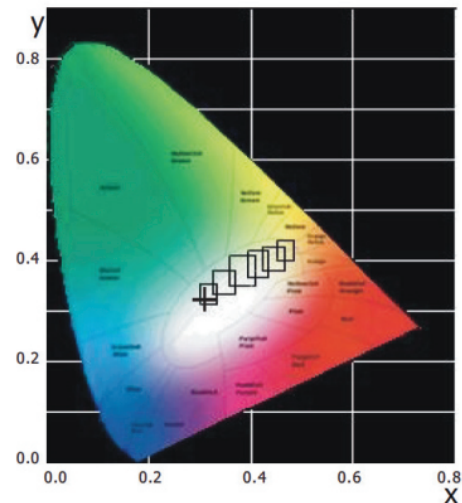
- Rugged construction
- High quality LEDs for exceptional output and color
- Harmonize color calibration
- Built-in color presets, effects and chases
- HSIC (Hue - Saturation - Intensity - Color temperature) operation mode
- 8- or 16-bit DMX512-A operation for smooth stepless fades
- On-board LCD menu system for addressing and setup
- Remote configuration available via RDM
- PowerCon in and thru power connections
- 5-pin DMX512-A(RDM) in and thru connections

BENEFITS

- Color Gel filter preset
- Chase - strobe + duration effect engine
- LED and tungsten curves selection

HARMONIZE COLOR CALIBRATION TECHNOLOGY

At the heart of all Showline products is Harmonize Calibration technology. Harmonize is a proprietary, advanced LED color matching system, consisting of 3 correction modules: RGB, RGBW and Cool White/Warm White. Every Showline fixture undergoes rigorous testing to provide you with consistent control of color and intensity as well as output of the highest quality.



Showline

SL PAR 155 ZOOM

SOURCE

Type	9 high power 15W RGBW LEDs
Wattage	150W

OPTICAL PERFORMANCE

Lumen output	3,200
CRI/CQS	90 (RGBW)
Modes	HSIC RGBW 16-bit RGBW 8-bit

BEAM

Beam angle	8-40°
------------	-------

POWER

Operating voltage	100-240VAC
Max wattage	150W

DATA CONNECTIONS

DMX	Input / thru
Controls	Local LCD control, Master / slave

DATA PROTOCOLS

DMX (RDM)	DMX-512A(RDM)
-----------	---------------

PHYSICALS

IP rating	IP20
Finish	Black
Construction	Metal frame

ENVIRONMENT

	°C	°F
Operating temperature	-10-45	14-113°F

DIMENSIONS

	mm	in
H x W x L	318 x 275 x 414	13 x 11 x 17

WEIGHT

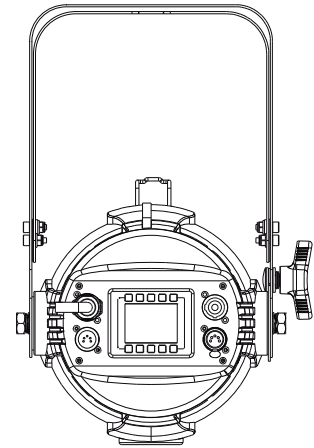
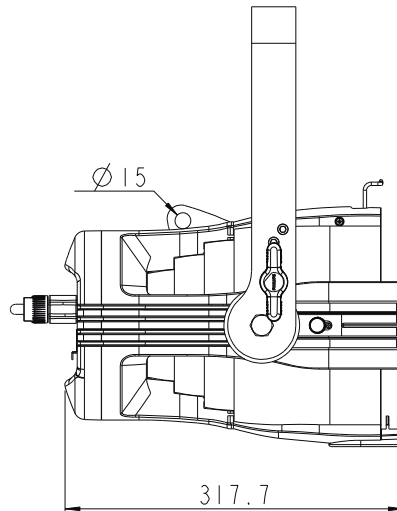
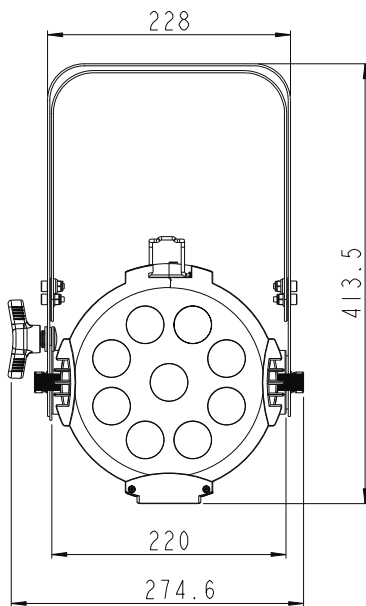
	kg	lb
Net weight	8	17.61

WARRANTY & APPROBATION

Warranty	2 years
Approbations	CE, C-Tick, cETL

Showline

SL PAR 155 ZOOM



PRODUCT NAME

SL PAR 155 ZOOM, 9 x 15W RGBW LED optics, 8 to 40 degree manual zoom with Powercon connector

ORDER CODE

88-095-5142-37
SLPAR155

© 2018 Signify Holding. All rights reserved.

All trademarks are owned by Signify Holding or their respective owners. The information provided herein is subject to change, without notice. Signify does not give any representation or warranty as to the accuracy or completeness of the information included herein and shall not be liable for any action in reliance thereon. The information presented in this document is not intended as any commercial offer and does not form part of any quotation or contract, unless otherwise agreed by Signify. Data subject to change.

Ref: 88-095-5142-37-100-v00