

VL2600 Series

Note: This TN include 2 additional Appendix pages

TECHNICAL NOTICE	
Product	VL2600 PROFILE, VL2600 WASH, VL2600 SPOT
Subject	TN - 01788

OVERVIEW

Updated firmware for the following fixtures

Fixture	Version
VL2600 PROFILE	VL2600P_083019
VL2600 SPOT	VL2600S_083019
VL2600 WASH	VL2600W_083019

The latest software can be download from the product page or our website www.VARI-LITE.com

This update may change the playback of previously written cues. Please review this document in its entirety before installation. If you have questions, please contact your authorized Vari-Lite service center.

RELEASE NOTES

The following changes of have been implemented

- A change to calibration of pan/tilt has been done to improve the overall repeatability of calibration. This however will effect the way the offsets of pan/tilt behave (50/50 home position may be offset). **You may notice that PAN & TILIT positions will change for a given DMX vales until you have re-centered you 50/50 home location.** So care should be taken on installation. You may have to update programming of cues if the PAN & TILT 50/50 home position ahs not been re-centered. If you are not in a programed show, you should consider updating the pan/tilt offsets after installing. **Please see the Appendix for instructions.**
- Changed "Menu -> Configure -> Pan/Tilt -> Side-Hang -> Disable or Enable" to "Menu -> Configure -> Pan/Tilt -> Speed -> Normal or Reduced" The "REDUCED" speed has been slightly reduced to further minimize motor stalls
- Improved responsiveness to DMX cues for intensity changes and motor movements. This may cause a change in the way cues appear when played back.
- Improved color wheel spin synchronization for spin start/stop cues
- Improved intensity smoothing when DM SNAP is disabled
- LED cooling fans stay on regardless of LED intensity, holding a more consistent speed.

CONTACT INFORMATION

For more information on this technical notice or on Vari-Lite products, please contact your Authorized Vari-Lite Dealer or Vari-Lite customer service at 1.214.647.7880.

Appendix TN-1776 Page 1 of 2

WARNING – Do not perform a reset of all offsets! This change only effects pan/tilt. Resetting all offsets will require full re-calibration of all functions as described in TN-01491.

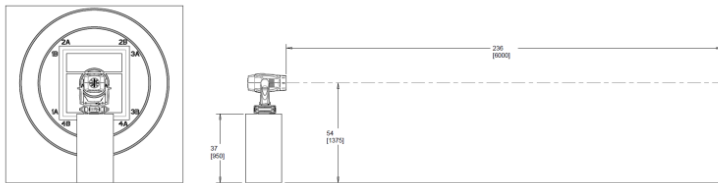
All Series 2600 fixtures are calibrated at the factory. This software version will change those positions. Particularly if they were calibrated with SWV 04/12/19. After installing this software you should perform one of the 2 options described below.

Option 1 – Reset using the Target Diagram as shown below.

Signify Classified - Internal

Calibration Setup

- Fixture positioned 6 meters from wall
- Wall to be marked with Figure on the next page.
- When pointing at wall, center of lens should be the same distance from the floor as center of circles



Signify Classified - Internal

Calibration Setup (continued)

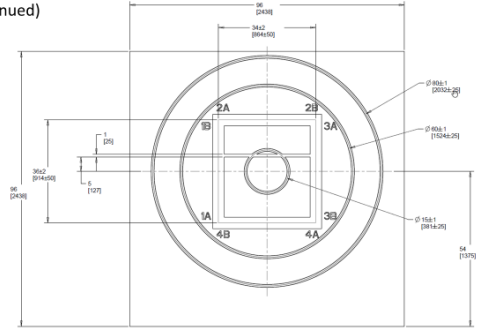
- Dimensions are inches +/- tolerance [mm +/- tolerance]
- Ø means diameter

04-2600-0001_DXF.dxf is a scaled file that can be printed on a sign. It will be 8 feet tall by 8 feet wide (96" x 96")

04-2600-0001_section1.dxf will print the left 1/3 of the image
 04-2600-0001_section2.dxf is the middle 1/3 of the image
 04-2600-0001_section3.dxf is the right 1/3 of the image.

These three files can be plotted on a 36" wide plotter and hung side-by-side to make the complete image. Each will be 32 inches wide.

When the bottom of this image touches the floor, the bench that the VL2600 sits on should be 37 inches tall



- **Once you have the fixture in position, update the software to 083019.** Then, reset the pan and tilt offsets to 0. "Menu -> Service -> Service Settings -> Pan Offset -> 'UP or DOWN' until it reads 0 -> 'ENTER'". Repeat for 'Tilt Offset'. **DO NOT RESET ALL OFFSETS!**
- Power cycle fixture
- Perform offset using the values for pan/tilt as described

Signify Classified - Internal

1. Set Pan & Tilt Offsets Profile, Spot, Wash

Offset Function	Function Settings	DMX Value (8bit/8bit)
Pan & Tilt	Pan	128/0
	Tilt	44/41
	Zoom	127/238
	Edge	216/114
	Iris	255

This setting closes the iris and allows you to set pan & tilt offsets to line up to the center circle. This will insure that the VL2600 is projecting normal to the measurement wall.



CONTACT INFORMATION

For more information on this technical notice or on Vari-Lite products, please contact your Authorized Vari-Lite Dealer or Vari-Lite customer service at 1.214.647.7880.

Appendix TN-1776 Page 2 of 2

Option 2 – If you do not have the ability to mark a wall as described above, you can adjust them using a tape measure. Now, this is not exactly the same as above. So you would notice these being slightly different done this way versus luminaires adjusted as described in Option 1.

Once you have updated fixture to software **083019**, reset the pan and tilt offsets to 0 as described in option 1. **DO NOT RESET ALL OFFSETS!**

Power cycle fixture

Adjust pan position to center it against the upper enclosure. You can use a tape measure or a ruler. See photos.



Repeat process for Tilt.

CONTACT INFORMATION

For more information on this technical notice or on Vari-Lite products, please contact your Authorized Vari-Lite Dealer or Vari-Lite customer service at 1.214.647.7880.