

4

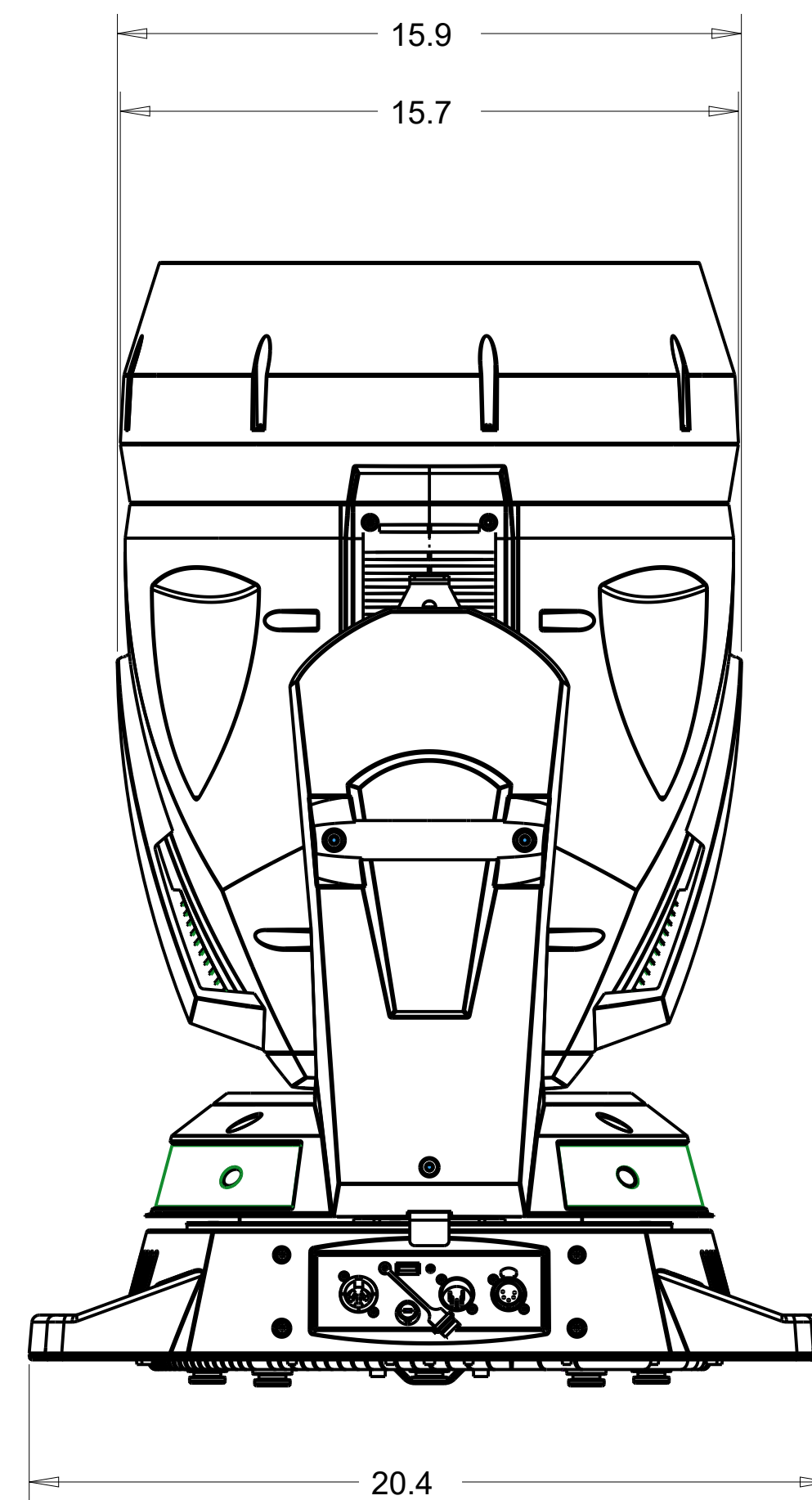
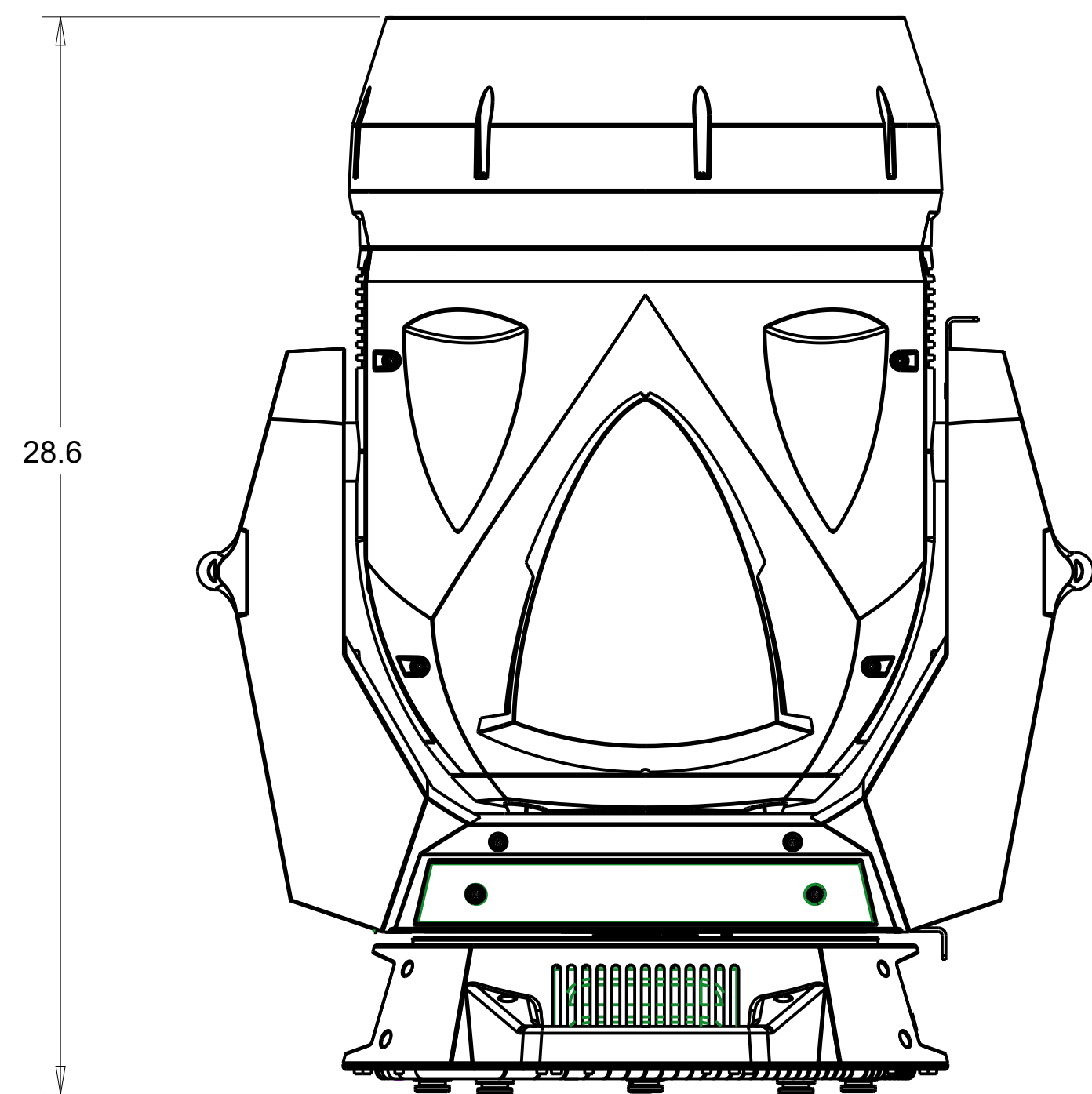
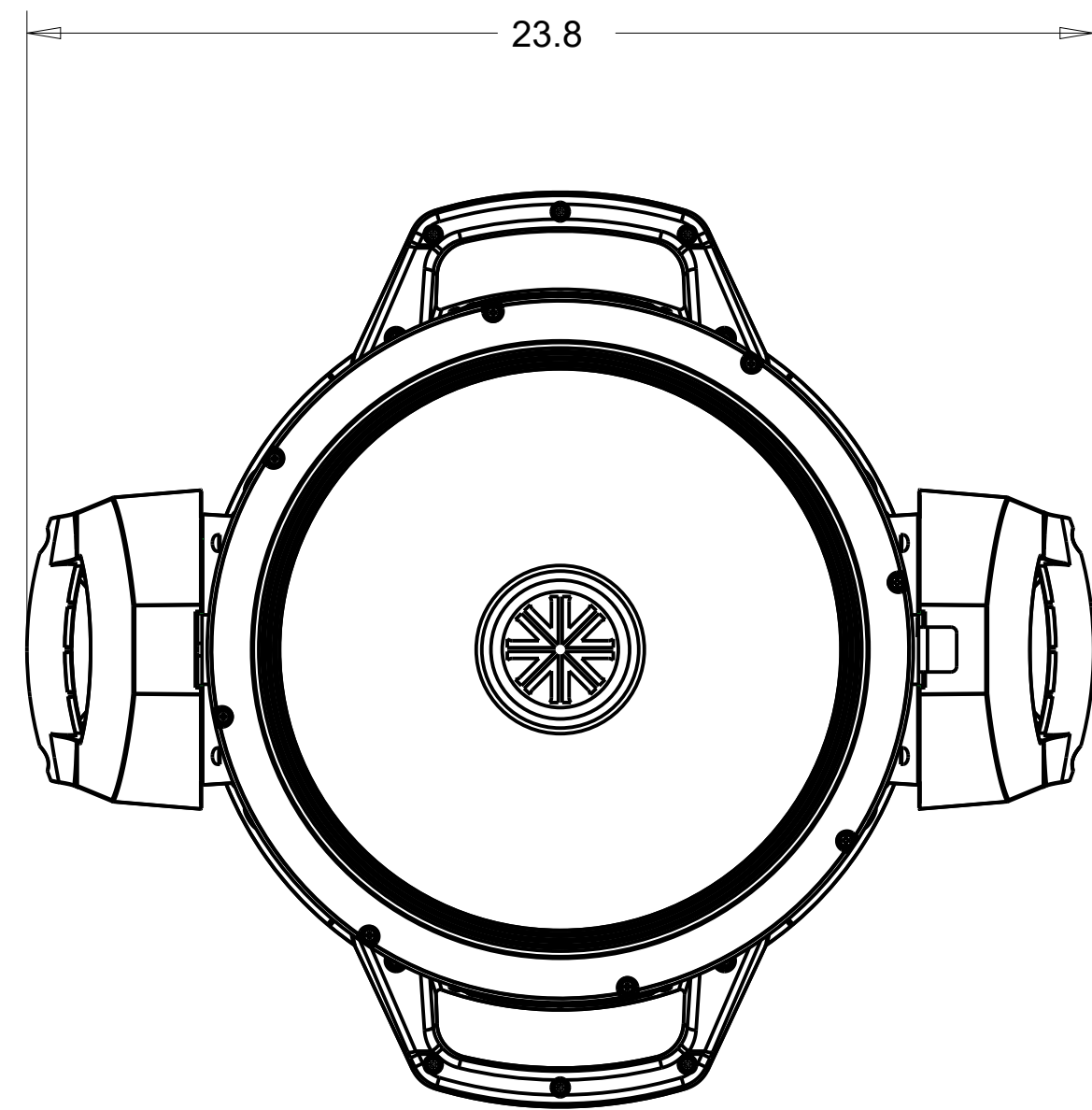
1

3

2

1

REVISIONS				
REV	EC #	DESCRIPTION	DATE	APPD
00		INITIAL PRELIM DWG	1/25/18	TR



NOTES:

[P] INDICATED AREA TO CONTAIN COMPANY DESIGNATION (NAME), PART NUMBER, PART REVISION. SIZE AND STYLE SHALL BE VENDOR OPTION. PARTS THAT ARE TOO SMALL SHALL BE PLACED IN A CONTAINER THAT IS CLEARLY MARKED.

VARI\*LITE

Strand

NEXT ASSY		TOLERANCE TABLE		X.X° = ± 0.5°	X.XX = ± 0.020	SIGNIFY LIGHTING 10911 PETAL ST., DALLAS, TX 75238		
				X.XX° = ± 0.25°	X.XXX = ± 0.010	VL6500 OUTLINE DIM DRAWING PRELIMINARY		
MATERIAL		FINISH		DSN TR 1/19	MATERIALS, PARTS AND PRODUCTS MUST COMPLY WITH THE ENVIRONMENTAL REQUIREMENTS OF PIN 02-9600-0001			
				DWN TR 1/19	SIZE	REVISION	DRAWING NUMBER	
					D	00	16-9708-4001	
					SCALE	0.25	CREO 3.0	SHEET 1 OF 1